

Spiral Vent

Stationary Gravity Natural Ventilator



MoffittCorp.com | (800) 474-3267
1351 13th Ave S. Suite 130 Jacksonville Beach, FL 32250

 **MOFFITT CORPORATION**
NATURAL VENTILATION SOLUTIONS

SG - Stationary Gravity Ventilator Table of Contents

SG - Stationary Gravity Ventilator Table of Contents	2
SG - Stationary Gravity Ventilator Product Details	3
SG - Stationary Gravity Ventilator Submittal Data.....	4
SG - Stationary Gravity Model B - Roof Bases	5
SG - Stationary Gravity Model C - Flat Collar Roof Bases	6
SG - Stationary Gravity Ventilator Performance Data & Weights.....	7
SG - Stationary Gravity Ventilator Guide Specification.....	8

SG - Stationary Gravity Ventilator Product Details

STANDARD FEATURES

- Galvanized Steel Construction
- Bird screen - 1/2" Mesh 19 Gauge Galvanized

OPTIONAL FEATURES

- Air Dry Enamel Finish
- Roof Base
- Disc Damper in Throat
- Insect Screen
- Diverter Cone
- Quadrant Operator

BENEFITS

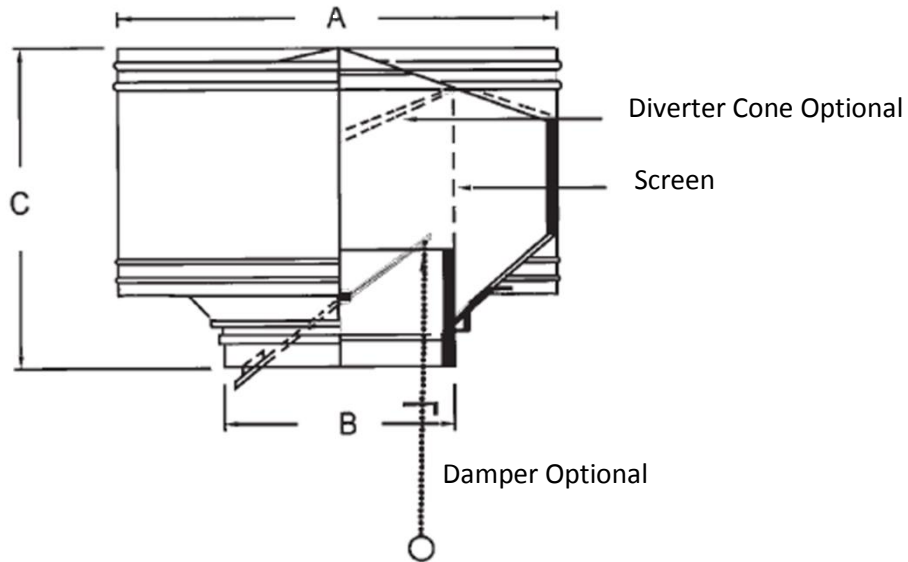
- Construction conforms to Specification QQ-1-716 or Aluminum Alloy Sheets meeting QQ-A 359
- Conforms to Army Corps of Engineers Bulletin CE220.09 for Gravity Ventilators

PRODUCT DESCRIPTION

The Moffitt SG Ventilator is a stationary vent used on many industrial and commercial applications, and conforms to Army Corps of Engineers Bulletin CE 220.09 for gravity ventilators. Capacities are based on ratings formulas outlined in the ASHRAE Guide for natural ventilation.

Accessories are available such as Disc Dampers, Square to Round Bases, Flat Collar Bases, and auxiliary duct fan designed to convert existing round gravity ventilator to power. Each unit is mounted on manufacturer's square to round bases. They are designed to withstand stresses developed by winds up to 85 miles per hour, and are waterproof and storm proof under all normal operating conditions. Their design helps keep them free from back draft in ideal conditions.

SG - Stationary Gravity Ventilator Submittal Data



STANDARD FEATURES

- Galvanized Steel Construction conforming to Specification QQ-1-716 or Aluminum Alloy Sheets meeting QQ A 359
- 1/2" Mesh 19 Gauge Galvanized Bird Screen
- Conforms to Corp of Army Engineers Bulletin CE220.09 for Gravity Ventilators

OPTIONAL FEATURES

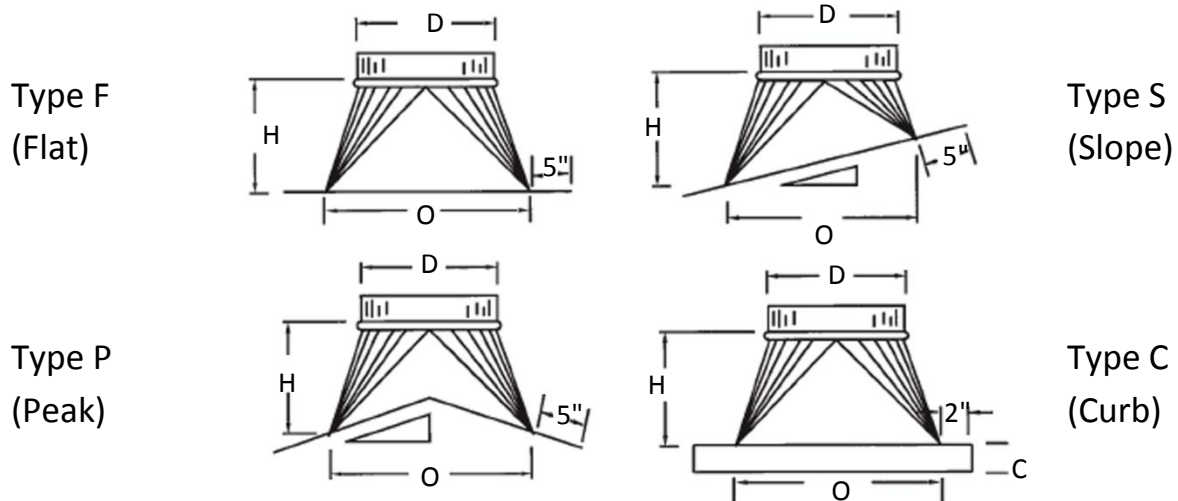
- Air Dry Enamel Finish
- Roof Base
- Disc Damper in Throat
- Insect Screen
- Diverter Cone
- Quadrant Operator

MODEL	DIMENSION - GAUGES			GAUGES	
	A	B	C	GALV.	SS
	SG-6	10	6	8 1/2	26
SG-8	13	8	9 1/2	26	.032
SG-10	16	10	11	26	.032
SG-12	19	12	13	24	.032
SG-14	22	14	14	24	.032
SG-16	25 1/2	16	15	24	.032
SG-18	30	18	18 1/2	24	.032
SG-20	32	20	19 1/2	24	.032
SG-24	38	24	22 1/2	24	.040
SG-30	48	30	24 1/2	22	.040
SG-36	56	36	29	22	.040
SG-42	65 1/2	42	35	20	.050
SG-48	75	48	35	20	.050
SG-54	81	54	41	20	.050
SG-60	90	60	42	18	.050
SG-72	108	72	50	18	.050

QTY	MODEL	EXHAUST CFM	WIND SPEED	STACK HEIGHT	TEMP. DIFF.	MATERIAL		ACCESSORIES	MARK
						ZINC ALUM.	SS		

All specifications are subject to change without notice unless approved in submittal by Moffitt Corporation, Inc.

SG - Stationary Gravity Ventilator Roof Bases



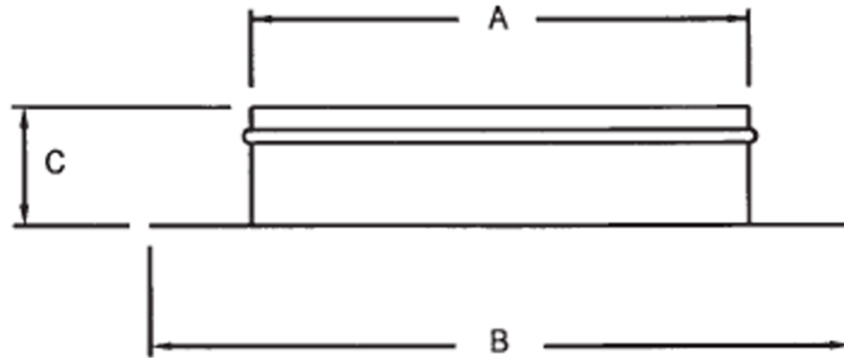
DIMENSIONS - GAUGES					
MODEL	O SQ.	H	C	GALV	ALUM
B-6	10	6	2	26	.032
B-8	12	6	2	26	.032
B-10	14	7	2	26	.032
B-12	16	7	2	26	.032
B-14	18	8	2	26	.032
B-16	20	8	2	26	.032
B-18	22	9	2	24	.032
B-20	24	9	2	24	.032
B-24	30	11	2	24	.040
B-30	36	13	2	22	.040
B-36	42	15	2	22	.040
B-42	48	15	2	20	.050
B-48	54	15	2	20	.050
B-54	60	18	2	18	.063
B-60	66	19	2	18	.063
B-72	78	21	2	18	.063

NOTE: Specify Base Type and Roof Pitch when ordering.

QTY	MODEL	ROOF PITCH	TYPE	MARKING	MATERIAL	
					GALV	ALUM

All specifications are subject to change without notice unless approved in submittal by Moffitt Corporation, Inc.

SG - Stationary Gravity Flat Collar Roof Bases



MODEL	DIMENSIONS			GAUGE
	A	B	C	
C-6	6	16	6	26
C-8	8	18	6	26
C-10	10	20	6	26
C-12	12	22	6	26
C-14	14	24	6	26
C-16	16	26	6	26
C-18	18	28	6	26
C-20	20	30	6	24
C-24	24	34	6	24
C-30	30	40	6	22
C-36	36	46	6	22
C-42	42	52	6	20
C-48	48	58	6	20

- Facilitates the easy installation of SG Stationary Ventilators
- Adequately supports the weight of the ventilator
- Heavy gauge construction with crimped collars
- Galvanized steel construction conforming to specification QQ-1-716

QTY	MODEL	ROOF PITCH	TYPE	MARKING	MATERIAL	
					GALV	ALUM

All specifications are subject to change without notice unless approved in submittal by Moffitt Corporation, Inc.

SG - Stationary Gravity Ventilator Performance Data & Weights

CFM RATINGS

STACK HT.	WIND SPEED	TEMP. DIFF.	SG STATIONARY GRAVITY VENT															
			6	8	10	12	14	16	18	20	24	30	36	42	48	54	60	72
10	5	10	60	109	169	242	330	431	545	671	967	1512	2178	2957	3881	4929	6457	9298
		20	62	110	171	246	337	440	556	685	986	1542	2120	3014	3956	5024	6581	9477
		30	67	120	187	270	369	482	609	750	1080	1689	2432	3302	4334	5504	7210	10382
	10	10	112	200	316	449	613	801	1012	1247	1796	2809	4044	5491	7207	9153	11990	17266
		20	116	208	324	466	636	832	1051	1295	1865	2917	4200	5702	7484	9505	12451	17929
		30	120	215	334	481	656	858	1085	1336	1925	3010	4334	5885	7724	9809	12850	18504
20	5	10	62	110	171	246	337	440	556	685	986	1542	2120	3014	3956	5024	6581	9476
		20	65	116	180	259	354	462	584	719	1036	1620	2333	3168	4158	5281	6918	9962
		30	69	123	191	276	377	493	623	767	1105	1728	2489	3379	4435	5632	7378	10624
	10	10	116	208	324	466	636	832	1051	1295	1865	2917	4200	5702	7484	9504	12450	17928
		20	121	216	336	484	660	862	1090	1343	1934	3025	4355	5914	7752	9845	12897	18572
		30	127	228	354	510	696	910	1150	1417	2041	3192	4596	6240	8190	10401	13625	19620
30	5	10	67	120	187	270	369	482	608	750	1080	1689	2432	3302	4334	5504	7210	10382
		20	69	123	191	276	377	493	623	767	1105	1728	2489	3379	4435	5632	7378	10624
		30	84	151	234	338	461	602	761	937	1350	2111	3040	4128	5418	6880	9013	12978
	10	10	120	214	335	481	656	858	1085	1136	1924	3009	4334	5884	7723	9808	12848	18501
		20	127	228	354	510	696	910	1150	1417	2041	3192	4596	6240	8190	10401	13625	19620
		30	130	232	361	520	710	928	1174	1445	2082	3255	4687	6365	8354	10601	13899	20014

WEIGHTS

MC/ROM	VENT	CURB B	COLLAR C	DAMPER	MC/ROM	VENT	CURB B	COLLAR C	DAMPER
SG-6/RS-6	5	5	3	3	SG-24	49	24	15	22
SG-8	6	5	4	4	SG-30	108	40	30	39
SG-10	7	7	5	4	SG-36	141	51	37	55
SG-12	12	9	6	5	SG-42	224	62	53	84
SG-14	18	10	7	8	SG-48	322	78	63	107
SG-16	22	15	9	9	SG-54	359	147		
SG-18	31	16	11	11	SG-60	435	172		
SG-20	36	17	12	14	SG-72	639	213		

All specifications are subject to change without notice unless approved in submittal by Moffitt Corporation, Inc.

SG - Stationary Gravity Ventilator Guide Specification

1.1. DESCRIPTION

Furnish and Install SG Stationary Gravity Ventilator and accessories as indicated on drawings.

1.2. QUALITY ASSURANCE:

MOFFITT (Jacksonville, FL, 1 800-474-3267) Products establish the standard of quality required. Manufacturer and erector shall demonstrate a minimum of five (5) years of related industry experience.

1.3. SUBSTITUTIONS:

No substitutions will be considered unless written request for approval has been submitted by the bidder and has been received by the designer at least ten (10) days prior to bid date. Any proposed substitutions should meet the standards set by the specification.

1.4. SUBMITTALS:

Furnish approval drawings prior to fabrication; and erection drawings prior to shipment showing all erection procedures and accessories required for the specified product.

2.1. DESIGN:

2.1.1. SG Stationary Gravity Ventilator shall be of the stationary type and mounted on manufacturers square to round base or collar.

2.1.2. Designed to withstand stresses developed by winds to 85 miles per hour.

2.1.3. Unit to be waterproof and storm proof under normal operating conditions.

2.1.4. Unit to be free of back draft except in the event of interior negative pressure.

2.1.5. Capacity to be based on rating formulas outlines in ASHRAE Guide for Natural Ventilation.

2.2. CONSTRUCTION:

2.2.1. SG Stationary Gravity Ventilator to be constructed of galvanized sheet metal ___ga (___") per schedule.

2.2.2. ½" mesh, 19 ga galvanized bird screen standard.

2.3. ACCESSORIES: (Select as required)

2.3.1. Disc Dampers to be counter weighted construction and ___Ft of chain/ hand quadrant

2.3.2. Fusible Link to be provided for disc damper to open in case of fire.

2.3.3. Insect Screen to be

2.3.4. Pre-fabricated Roof Base -Square to Round – Flat Roof

2.3.5. Pre-fabricated Roof Base -Square to Round – Sloped Roof ___ Rise on ___ Run

2.3.6. Pre-fabricated Roof Base - Ridge Mounting

2.3.7. Pre-fabricated Roof Base- Curb Cap

2.3.8. Pre-fabricated Roof Base – Flat Collar

2.3.9. Auxiliary Duct Fan to install between ventilator and base. Fan to be wired to external conduit box.

2.3.10. Diverter Cone for Duct Fan Application

2.3.11. Air Dry Enamel Painted Color to Match

3.1. INSPECTION:

Examine Roof Base/Collar prior to installation to ensure a good mounting condition and clear of debris.

3.2. INSTALLATION AND ERECTION:

3.2.1. Install SG Stationary Gravity Ventilator and Accessories in conformance with approved drawings and MOFFITT specifications.

3.2.2. Any necessary hardware and caulking for ventilator shall be included with units.

3.2.3. Any additional material to be provided by installing contractor.

3.3. DAMAGED MATERIAL:

Repair or replace all damaged material.