

# LV3045

---

EcoStream Fixed Drainable Wall Louver - 45°



MoffittCorp.com | (800) 474-3267  
1351 13th Ave S. Suite 130  
Jacksonville Beach, FL 32250



## **LV3045 - Fixed Drainable 45° Wall Louver Table of Contents**

LV3045 - Fixed Drainable 45° Wall Louver Table of Contents .....	2
LV3045-4 - Fixed Drainable 45° Wall Louver Product Details .....	3
LV3045-4 - Fixed Drainable 45° Wall Louver Performance Data .....	4
LV3045-6 - Fixed Drainable 45° Wall Louver Product Details .....	5
LV3045-4 - Fixed Drainable 45° Wall Louver Guide Specification.....	6
LV3045-6 - Fixed Drainable 45° Wall Louver Guide Specification.....	7

## LV3045-4 - Fixed Drainable 45° Wall Louver Product Details

### PRODUCT DETAILS

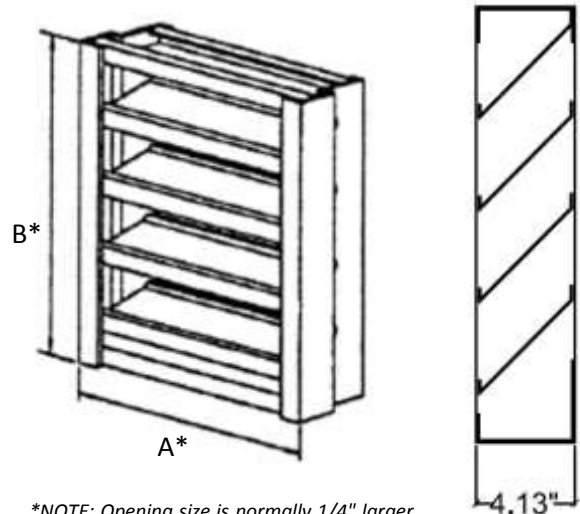
Moffitt EcoStream LV3045-4 fixed drainable 45° Wall Louvers are 4" deep. The drainable blade design allows free area velocities to be higher than conventional blades. They are fabricated to meet the rigors of heavy industry.

### STANDARD FEATURES

- Frames 4 deep, 18 ga. Galvanized Steel
- Drainable Blades, 18 ga. Galvanized Steel
- Min. Size: 8" x 12" (single panel)
- Max. Size: 96" x 72" (single panel)
- Mill Galvanized finish
- Mullion Covers (outside only)
- Mounting Clips & Fasteners
- Screen:
  - 3/4" mesh, 20ga. Galvanized (LV3045-4)
  - 1/2" mesh 19ga. Galvanized (LV3045-6)

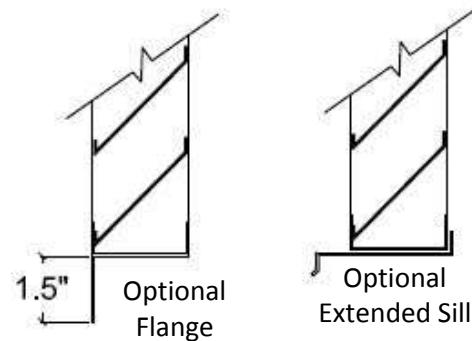
### OPTIONAL FEATURES

- Flanged Frame
- Extended Sill
- Materials: Stainless Steel
- Seals: Blade Seals or Stainless steel jamb seals
- Screen:
  - Aluminum insect, 3/4" mesh
  - Expanded alum., 1/2" mesh
  - Stainless steel, 1/2" mesh
- Finish:
  - Vinyl acrylic paint
  - Epoxy coating
- Operator: Manual chain pull, hand crank, 115v motor, Hand wheel / Jack-shafting
- 1.5" Face Flange



*\*NOTE: Opening size is normally 1/4" larger than louver size. Structural support of louver in opening by others.*

*Screen adds approximately 1/2" deep.*



### INDUSTRY APPLICATIONS

- Forges, Foundries, & Casters
- General Manufacturing
- Chemical Plants
- Mine Processing
- Glass Plants
- Power Plants
- Warehouses

Mark	QTY	Louver Size		Job Description
		A' Width	B' Height	

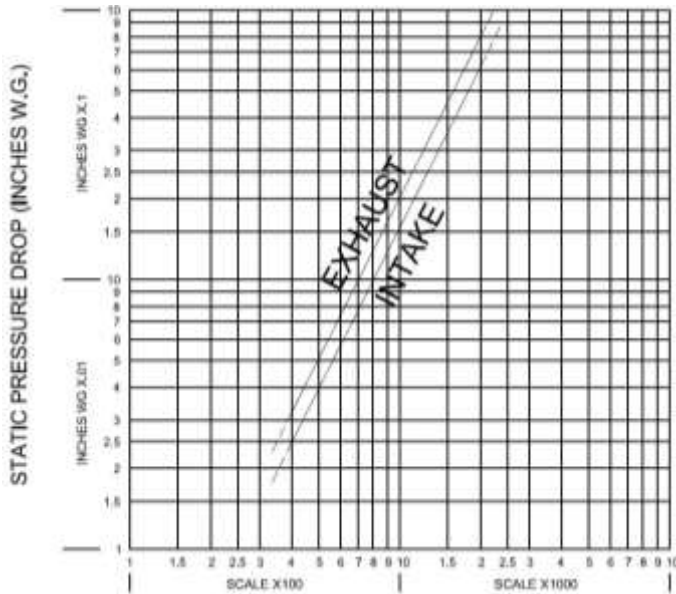
## LV3045-4 - Fixed Drainable 45° Wall Louver Performance Data

Moffitt EcoStream LV3045-4 fixed drainable 45° wall louvers are 4" deep. The drainable blade design allows free area velocities to be higher than conventional blades. It is recommended that these velocities do not exceed 1056 FPM.

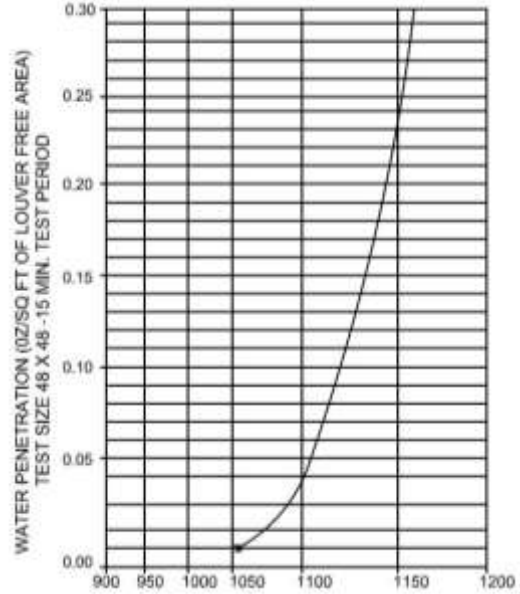
### FREE AREA CHART

Height (Inches)	Width (Inches)														
	12	18	24	30	36	42	48	54	60	66	72	78	84	90	96
12	0.47	0.7	0.93	1.17	1.4	1.63	1.87	2.1	2.33	2.57	2.8	3.03	3.27	3.51	3.72
18	0.7	1.05	1.4	1.75	2.1	2.45	2.8	3.15	3.5	3.85	4.2	4.52	4.91	5.23	5.61
24	0.93	1.4	1.87	2.33	2.8	3.27	3.73	4.2	4.67	5.13	5.6	6.05	6.51	7.02	7.48
30	1.17	1.75	2.33	2.92	3.5	4.08	4.67	5.25	5.84	6.42	7	7.55	8.14	8.76	9.36
36	1.4	2.1	2.8	3.5	4.2	4.9	5.6	6.3	7	7.7	8.4	9.06	9.76	10.52	11.24
42	1.63	2.45	3.27	4.08	4.9	5.72	6.54	7.35	8.17	8.99	9.8	10.57	11.38	12.27	13.12
48	1.87	2.8	3.73	4.67	5.6	6.54	7.47	8.4	9.34	10.27	11.2	12.08	13	14.03	15
54	2.1	3.15	4.2	5.25	6.3	7.35	8.4	9.45	10.5	11.55	12.6	13.59	14.62	15.78	16.88
60	2.33	3.5	4.67	5.84	7	8.17	9.34	10.5	11.67	12.84	14	15.1	16.24	17.54	18.76
66	2.57	3.85	5.13	6.42	7.7	8.99	10.27	11.55	12.84	14.12	15.4	16.61	17.86	19.29	20.64
72	2.8	4.2	5.6	7	8.4	9.8	11.2	12.6	14	15.4	16.8	18.12	19.48	21.05	22.52

**AIR FLOW RESISTANCE**



**WATER PENETRATION**



**Free Area Velocity (FT/MIN) – Based on Standard Air 0.75 lb/ft<sup>3</sup>. – Test Size 48" x 48"**



Moffitt Corporation certifies that the model shown herein is licensed to bear the AMCA seal. The ratings shown are based tests and procedures performed in accordance with AMCA Publication 211 and AMCA Publication 311 and comply with the requirements of the AMCA Certified Ratings Program.

All specifications are subject to change without notice unless approved in submittal by Moffitt Corporation, Inc.

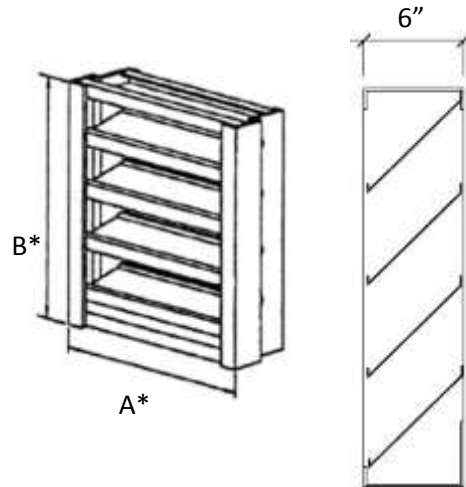
## LV3045-6 - Fixed Drainable 45° Wall Louver Product Details

### PRODUCT DETAILS

Moffitt EcoStream LV3045-6 fixed drainable 45° Wall Louvers are fabricated to meet the rigors of heavy industry. They are designed to provide maximum free area with minimal pressure drop and water entrainment.

### STANDARD FEATURES

- Frames 6" deep, 18 ga. Galvanized Steel
- Drainable Blades, 18 ga. Galvanized Steel
- Min. Size: 8" x 12" (single panel)
- Max. Size: 96" x 72" (single panel)
- Mill Galvanized finish
- Mullion Covers (outside only)
- Mounting Clips & Fasteners
- Screen:
  - 3/4" mesh, 20ga. Galvanized (LV3045-4)
  - 1/2" mesh 19 ga. Galvanized (LV3045-6)

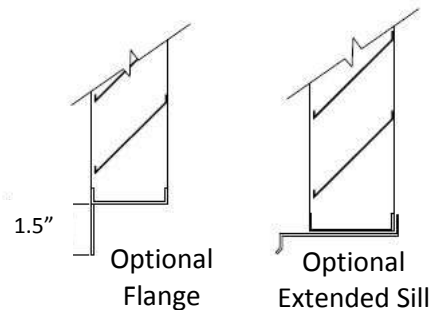


### OPTIONAL FEATURES

- Flanged Frame
- Extended Sill
- Materials: Aluminum or Stainless Steel
- Seals: Blade Seals or Stainless steel jamb seals
- Screen:
  - Aluminum insect, 3/4" mesh
  - Expanded alum., 1/2" mesh
  - Stainless steel, 1/2" mesh
- Finish:
  - Vinyl acrylic paint
  - Epoxy coating
- Operator: Manual chain pull, hand crank, 115v motor, Hand wheel / Jack-shafting
- 1.5" Face Flange

*\*NOTE: Opening size is normally 1/4" larger than louver size. Structural support of louver in opening by others.*

*Screen adds approximately 1/2 " deep.*



### INDUSTRY APPLICATIONS

- Forges, Foundries, & Casters
- General Manufacturing
- Chemical Plants
- Mine Processing
- Glass Plants
- Power Plants
- Warehouses

Mark	QTY	Louver Size		Job Description
		A' Width	B' Height	

## LV3045-4 - Fixed Drainable 45° Wall Louver Guide Specification

### 1.1. DESCRIPTION

Furnish and install LV3045-4 Fixed Drainable Wall Louver with accessories as shown on the drawings.

### 1.2. QUALITY ASSURANCE

MOFFITT (Jacksonville, FL, 1-800-474-3267) Products establish the standard of quality required. Manufacturer and erector shall demonstrate a minimum of five (5) years of related industry experience.

### 1.3. SUBSTITUTIONS

No substitutions will be considered unless written request for approval has been submitted by the bidder and has been received by the designer at least ten (10) days prior to bid date. Any proposed substitutions should meet the standards set by the specification.

### 1.4. SUBMITTALS

Furnish approval drawings prior to fabrication and erection drawings prior to shipment showing all erection procedures and accessories required for the specified product.

### 2.1. DESIGN

The LV3045-6 Fixed Drainable Wall Louver shall be designed to withstand (20psf) \_\_\_\_ wind load. The installer shall provide structural support as required to meet wind load. Blade style to be drainable fixed style. The louver free area, water penetration and pressure drop levels shall meet or exceed those of the specified louver. The maximum louver assembled panel shall be 72" wide x 96" high for single section. Larger sizes to be field assembled. Frame is to be channel frame design.

### 2.2. MATERIALS

The LV3045-6 Fixed Drainable Wall Louver frame shall be fabricated from 18 ga galvanized steel material x 6" deep. Blades shall be 18 ga galvanized steel material positioned at 45° angle and approximately 6" centers. Louvers to be mill finish and factory assembled.

### 2.3. ACCESSORIES (Select as required)

2.3.1. The louvers shall be equipped with ¾" mesh x 20ga Galvanized Steel, (or Aluminum, or Stainless Steel) Bird screen in a removable frame and installed on the rear (inside) of the louver.

2.3.2. Louver to have Flanged Frame.

2.3.3. Louvers to have Insect Screen – 18-16 Mesh Aluminum

2.3.4. Louvers to have Baked Powder Polyester Coating to Match

### 3.1. INSPECTION

Examine alignment of structural steel prior to installation and do not proceed until structure is within tolerances established by AISC.

### 3.2. INSTALLATION AND ERECTION

Install LV3045-6 Fixed Drainable Wall Louvers and accessories in conformance with approved drawings and MOFFITT specifications.

### 3.3. DAMAGED MATERIAL

Repair or replace all damaged material.

## LV3045-6 - Fixed Drainable 45° Wall Louver Guide Specification

### 1.1. DESCRIPTION

Furnish and install LV3045-6 Fixed Drainable Wall Louver with accessories as shown on the drawings.

### 1.2. QUALITY ASSURANCE

MOFFITT (Jacksonville, FL, 1-800-474-3267) Products establish the standard of quality required. Manufacturer and erector shall demonstrate a minimum of five (5) years of related industry experience.

### 1.3. SUBSTITUTIONS

No substitutions will be considered unless written request for approval has been submitted by the bidder and has been received by the designer at least ten (10) days prior to bid date. Any proposed substitutions should meet the standards set by the specification.

### 1.4. SUBMITTALS

Furnish approval drawings prior to fabrication and erection drawings prior to shipment showing all erection procedures and accessories required for the specified product.

### 2.1. DESIGN

The LV3045-6 Fixed Drainable Wall Louver shall be designed to withstand (20psf) \_\_\_\_\_ wind load. The installer shall provide structural support as required to meet wind load. Blade style to be drainable fixed style. The louver free area, water penetration and pressure drop levels shall meet or exceed those of the specified louver. The maximum louver assembled panel shall be 72"wide x 96"high for single section. Larger sizes to be field assembled. Frame is to be channel frame design.

### 2.2. MATERIALS

The LV3045-6 Fixed Drainable Wall Louver frame shall be fabricated from 18 ga galvanized steel material x 6" deep. Blades shall be 18 ga galvanized steel material positioned at 45 degree angle and approximately 6" centers. Louvers to be mill finish and factory assembled.

### 2.3. ACCESSORIES (Select as required)

- 2.3.1. The louvers shall be equipped with ¾" mesh x 20ga Galvanized Steel (or Aluminum, or Stainless Steel) Bird screen in a removable frame and installed on the rear (inside) of the louver.
- 2.3.2. Louver to have Flanged Frame.
- 2.3.3. Louvers to have Insect Screen – 18-16 Mesh Aluminum
- 2.3.4. Louvers to have Baked Powder Polyester Coating to Match

### 3.1. INSPECTION

Examine alignment of structural steel prior to installation and do not proceed until structure is within tolerances established by AISC.

### 3.2. INSTALLATION AND ERECTION

Install LV3045-6 Fixed Drainable Wall Louvers and accessories in conformance with approved drawings and MOFFITT specifications.

### 3.3. DAMAGED MATERIAL

Repair or replace all damaged material