

LV6045

EcoStream 45° Adjustable Drainable Wall Louver



MoffittCorp.com | (800) 474-3267
1351 13th Ave S. Suite 130
Jacksonville Beach, FL 32250



LV6045 - Adjustable Drainable 45° Wall Louver Table of Contents

LV6045 - Adjustable Drainable 45° Wall Louver Table of Contents.....	2
LV6045 - Adjustable Drainable 45° Wall Louver Product Details.....	3
LV6045-4 - Adjustable Drainable 45° Wall Louver Product Details	4
LV6045-4 - Adjustable Drainable 45° Wall Louver Performance Data.....	5
LV6045-6 - Adjustable Drainable 45° Wall Louver Product Details	6
LV6045-4 - Adjustable Drainable 45° Wall Louver Guide Specification.....	7
LV6045-6 - Adjustable Drainable 45° Wall Louver Guide Specification.....	8

LV6045 - Adjustable Drainable 45° Wall Louver Product Details

PRODUCT DESCRIPTION

Moffitt EcoStream LV6045 adjustable drainable wall louvers 45° provide great performance, architectural appeal and adaptability to many design applications. Made of extruded aluminum, this model incorporates drainable style blades and downspouts jamb gutter design for high performance.

STANDARD FEATURES

- Frame: 4" -6" deep, 18 ga. Galvanized steel
- Blades: Drainable, adjustable blades positioned at 45° angles.
- Min Size:
 - 8" wide x 10" high (LV6045-4)
 - 8" wide x 12" high (LV6045-6)
- Max size: 48" wide x 72" high single section; *Multiple louvers can be bolted together up to 120" w x 72" h or 72" w x 120" h*
- Bird screen: .50" x .050" Flattened Aluminum in removable frame, mounted on inside (rear)
- Louvers without actuators will be supplied with locking quadrants
- Mounting Clips & Fasteners
- Integral jamb gutters and down spouts

OPTIONAL FEATURES

- Flanged Frame
- Extended Sill
- Filter Racks (no screen)
- Security Bars
- Hinged Sub frame
- Screens (insect, etc.)
- Finish:
 - Baked Powder; Polyester, Clear Coat, Fluoropolymer 70%
 - Anodize; Clear or Integral Color
- Operators
 - Manual chain pull
 - hand crank
 - 115v motor
 - Hand wheel
 - jack-shafting
- Seals
 - Blade Seals
 - Jamb seals
- 1.5" Face Flange

INDUSTRIAL APPLICATIONS

- | | | |
|-------------------|--------------------------|---------------------------|
| • Steel Plants | • General Manufacturing | • Pulp and Paper Plants |
| • Aluminum Plants | • Chemical Plants | • Gypsum Wallboard Plants |
| • Glass Plants | • Mine Processing Plants | • Plastics Plants |
| • Power Plants | • Warehouses | |

LV6045-4 - Adjustable Drainable 45° Wall Louver Product Details

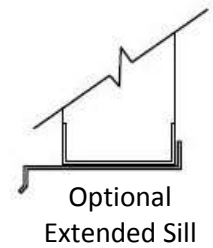
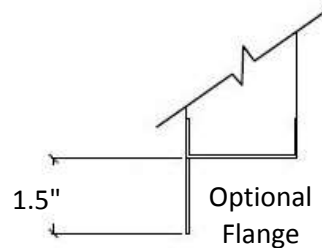
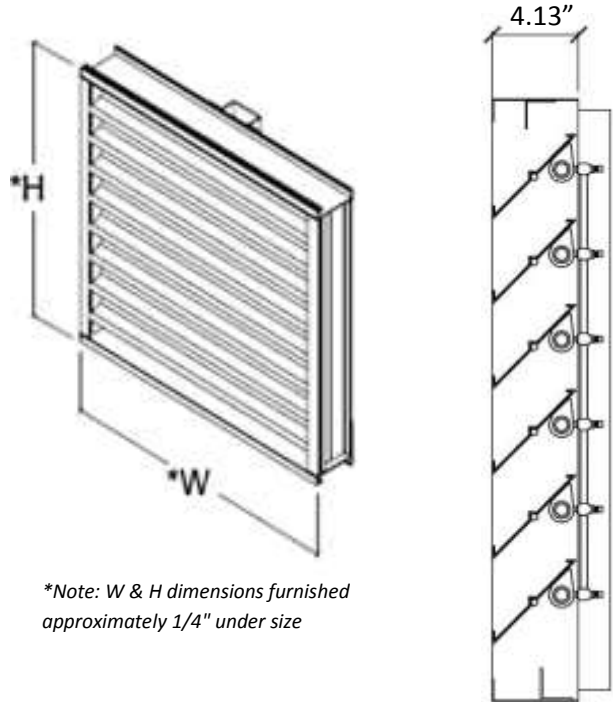
Moffitt EcoStream 45° adjustable drainable wall louvers provide great performance, architectural appeal and adaptability to many design applications. Made of extruded aluminum, this model incorporates drainable style blades and downspouts jamb gutter design for high performance.

STANDARD FEATURES

- Frame: 4"-6" deep, 18 ga. Galvanized steel
- Blades: Drainable, adjustable blades positioned at 45° angles.
- Min Size: 8" wide x 10" high
- Max size: 48" wide x 72" high single section; *Multiple louvers can be bolted together up to 120" w x 72" h or 72" w x 120" h*
- Bird screen: .50" x .050" Flattened Aluminum in removable frame, mounted on inside (rear)
- Louvers without actuators will be supplied with locking quadrants
- Mounting Clips & Fasteners
- Integral jamb gutters and down spouts

OPTIONAL FEATURES

- Flanged Frame
- Extended Sill
- Filter Racks (no screen)
- Security Bars
- Hinged Sub frame
- Screens (insect, etc.)
- Finish:
 - Baked Powder Polyester
 - Baked Powder Fluoropolymer 70%
 - Baked Powder Clear Coat
 - Clear Anodize
 - Integral Color Anodize
- Seals
 - Blade Seals
 - Jamb seals
- 1.5" Face Flange



Mark	QTY	Louver Size		Job Description
		A' Width	B' Height	

All specifications are subject to change without notice unless approved in submittal by Moffitt Corporation, Inc

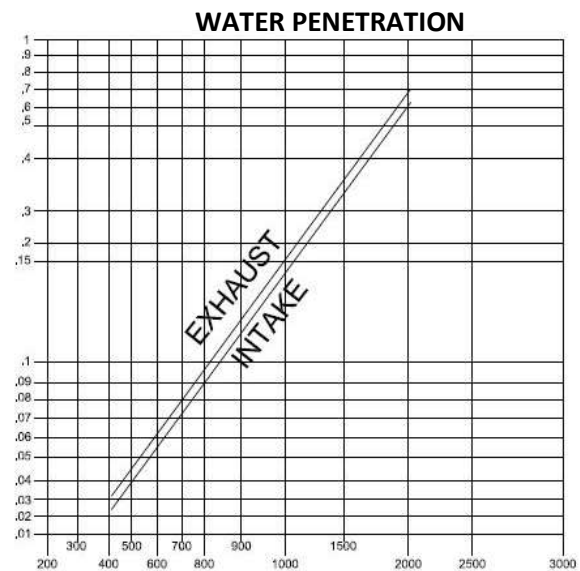
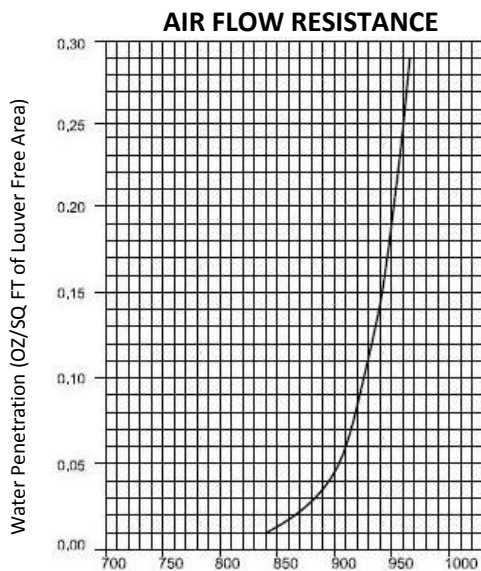
LV6045-4 - Adjustable Drainable 45° Wall Louver Performance Data

Moffitt EcoStream LV6045 45° wall louvers are 4" deep. It is a weather louver designed to protect the outside opening in building exterior walls. This model incorporates drainable blade and downspouts jamb gutter design for high performance. Beginning point of water penetration is 840 FPM

FREE AREA CHART

Louver Height (Inches)	Louver Width (Inches)								
	12	18	24	30	36	42	48	54	60
12	0.23	0.38	0.53	0.68	0.83	0.98	1.13	1.28	1.43
18	0.41	0.67	0.93	1.20	1.46	1.73	1.99	2.25	2.52
24	0.67	1.10	1.54	1.97	2.40	2.64	3.27	3.70	4.14
30	0.84	1.39	1.94	2.49	3.04	3.58	4.13	4.68	5.23
36	1.11	1.82	2.54	3.26	3.98	4.69	5.41	6.13	6.85
42	1.28	2.11	2.95	3.78	4.61	5.44	6.27	7.11	7.94
48	1.54	2.55	3.55	4.55	5.55	6.55	7.55	8.56	9.56
54	1.72	2.84	3.95	5.07	6.18	7.30	8.42	9.53	10.65
60	1.98	3.27	4.55	5.84	7.12	8.41	9.70	10.98	12.27
66	2.16	3.56	4.96	6.36	7.76	9.16	10.56	11.96	13.36
72	2.42	3.99	5.56	7.13	8.70	10.27	11.84	13.41	14.98
78	2.60	4.28	5.96	7.65	9.33	11.02	12.70	14.38	16.07
84	2.86	4.71	6.57	8.42	10.27	12.13	13.98	15.83	17.69
90	3.03	5.00	6.97	8.94	10.91	12.87	14.84	16.81	18.78
96	3.30	5.43	7.57	9.71	11.85	13.98	16.12	18.26	20.40

NOTE: Ratings do not include the effect of bird screen.



Free Area Velocity (FT/MIN) – Based on Standard Air 0.75 lb/ft³. – Test Size 48" x 48"

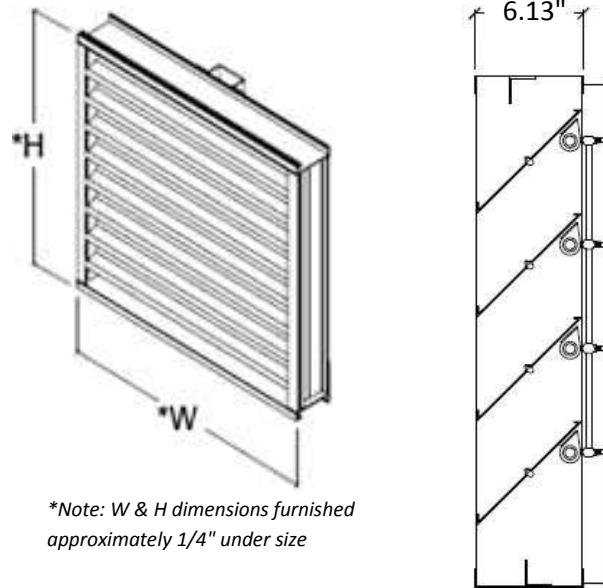


Moffitt Corporation certifies that the model shown herein is licensed to bear the AMCA seal. The ratings shown are based tests and procedures performed in accordance with AMCA Publication 211 and AMCA Publication 311 and comply with the requirements of the AMCA Certified Ratings Program. All specifications are subject to change without notice unless approved in submittal by Moffitt Corporation

LV6045-6 - Adjustable Drainable 45° Wall Louver Product Details

Standard Features

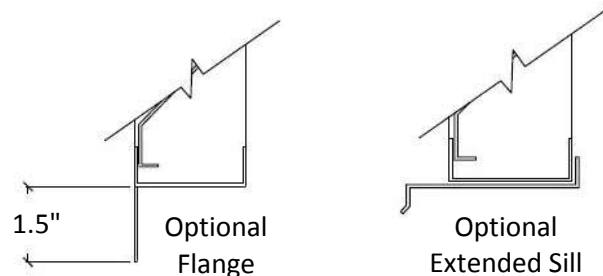
- Frame: 4"-6" deep, 18 ga. Galvanized steel
- Blades: Drainable, adjustable blades positioned at 45° angles.
- Min Size: 8" wide x 12" high
- Max size: 48" wide x 72" high single section; *Multiple louvers can be bolted together up to 120" w x 72" h or 72" w x 120" h*
- Bird screen: .50" x .050" Flattened Aluminum in removable frame, mounted on inside (rear)
- Louvers without actuators will be supplied with locking quadrants
- Mounting Clips & Fasteners
- Integral jamb gutters and down spouts



*Note: W & H dimensions furnished approximately 1/4" under size

Optional Features

- Flanged Frame
- Extended Sill
- Filter Racks (no screen)
- Security Bars
- Hinged Sub frame
- Screens (insect, etc.)
- Screen: Insect (aluminum 18-16 Mesh)
- Finish:
 - Baked Powder Polyester
 - Baked Powder Fluoropolymer 70%
 - Baked Powder Clear Coat
 - Clear Anodize
 - Integral Color Anodize
- Seals
 - Blade Seals
 - Jamb seals
- 1.5" Face Flange



Mark	QTY	Louver Size		Job Description
		A' Width	B' Height	



Moffitt Corporation certifies that the model shown herein is licensed to bear the AMCA seal. The ratings shown are based tests and procedures performed in accordance with AMCA Publication 211 and AMCA Publication 311 and comply with the requirements of the AMCA Certified Ratings Program.

All specifications are subject to change without notice unless approved in submittal by Moffitt Corporation

LV6045-4 - Adjustable Drainable 45° Wall Louver Guide Specification

1.1. DESCRIPTION

Furnish and install LV6035-4EA Stationary Aluminum Drainable Wall Louver with accessories as shown on the drawings.

1.2. QUALITY ASSURANCE

MOFFITT (Jacksonville, FL, 1-800-474-3267) Products establish the standard of quality required. Manufacturer and erector shall demonstrate a minimum of five (5) years of related industry experience.

1.3. SUBSTITUTIONS

No substitutions will be considered unless written request for approval has been submitted by the bidder and has been received by the designer at least ten (10) days prior to bid date. Any proposed substitutions should meet the standards set by the specification.

1.4. SUBMITTALS

Furnish approval drawings prior to fabrication and erection drawings prior to shipment showing all erection procedures and accessories required for the specified product.

2.1. DESIGN

The LV6035-4EA Adjustable Aluminum Drainable Wall Louver shall be designed to withstand (20psf) ___psf. wind load. The installer shall provide structural support as required to meet wind load. Blade style to be drainable adjustable style. The louver free area, water penetration and pressure drop levels shall meet or exceed those of the specified louver. The maximum louver assembled panel shall be 120" wide x 84" or 84" x 120" high or 60" x 72" for single section. Larger sizes to be field assembled. Frame to be channel frame design.

2.2. MATERIALS

The LV6035-4EA Adjustable Aluminum Drainable Wall Louver frame shall be fabricated from .081" Extruded Aluminum material x 4.16" deep. Blades shall be .081" Extruded Aluminum material positioned at 37 degree angle and approximately 2.88" on centers. Louver to be mill finish and factory assembled.

2.3. ACCESSORIES (Select as required)

The louvers shall be equipped with 3/4" mesh x .051" flattened aluminum bird screen in a removable frame installed on the rear (inside) of the louver.

2.3.1. Louver to have Flanged Frame.

2.3.2. Louver to have Extended Sill.

2.3.3. Louver to have Blade Seals.

2.3.4. Louver to have Jamb Seals.

2.3.5. Louvers to have Filter Frames for _____" Filters.

2.3.6. Louvers to have Security Bars. _____" x _____" on _____" centers.

2.3.7. Louvers to have Hinged Sub-frame

2.3.8. Louvers to have Insect Screen – 18-16 Mesh

2.3.9. Louvers to have Baked Powder Polyester Coating

2.3.10. Louvers to have Baked Powder Fluoropolymer Coating

2.3.11. Louvers to have Baked Powder Clear Coat

2.3.12. Louvers to be Clear Anodized

2.3.13. Louvers to be Integral Color Anodized.

3.1. INSPECTION

Examine alignment of structural steel prior to installation and do not proceed until structure is within tolerances established by AISC.

3.2. INSTALLATION AND ERECTION

Install LV6035-4EA Stationary Aluminum Wall Louver and accessories in conformance with approved drawings and MOFFITT specifications.

3.3. DAMAGED MATERIAL

Repair or replace all damaged material.

LV6045-6 - Adjustable Drainable 45° Wall Louver Guide Specification

1.1. DESCRIPTION

Furnish and install LV6035-6EA Stationary Aluminum Drainable Wall Louver with accessories as shown on the drawings.

1.2. QUALITY ASSURANCE

MOFFITT (Jacksonville, FL, 1-800-474-3267) Products establish the standard of quality required. Manufacturer and erector shall demonstrate a minimum of five (5) years of related industry experience.

1.3. SUBSTITUTIONS

No substitutions will be considered unless written request for approval has been submitted by the bidder and has been received by the designer at least ten (10) days prior to bid date. Any proposed substitutions should meet the standards set by the specification.

1.4. SUBMITTALS

Furnish approval drawings prior to fabrication and erection drawings prior to shipment showing all erection procedures and accessories required for the specified product.

2.1. DESIGN

The LV6035-6EA Adjustable Aluminum Drainable Wall Louver shall be designed to withstand (20psf) ___psf. wind load. The installer shall provide structural support as required to meet wind load. Blade style to be drainable adjustable style. The louver free area, water penetration and pressure drop levels shall meet or exceed those of the specified louver. The maximum louver assembled panel shall be 120" wide x 120" for single section. Larger sizes to be field assembled. Frame to be channel frame design.

2.2. MATERIALS

The LV6035-6EA Adjustable Aluminum Drainable Wall Louver frame shall be fabricated from .125" Extruded Aluminum material x 6.20" deep. Blades shall be .081" Extruded Aluminum material positioned at 37° angle and approximately 4.64" on centers. Louver to be mill finish and factory assembled.

2.3. ACCESSORIES (Select as required)

The louvers shall be equipped with ¼" mesh x .051" flattened aluminum bird screen in a removable frame installed on the rear (inside) of the louver.

- 2.3.1. Louver to have Flanged Frame.
- 2.3.2. Louver to have Extended Sill.
- 2.3.3. Louver to have Blade Seals.
- 2.3.4. Louver to have Jamb Seals.
- 2.3.5. Louvers to have Filter Frames for _____" Filters.
- 2.3.6. Louvers to have Security Bars. _____" x _____" on _____" centers.
- 2.3.7. Louvers to have Hinged Sub-frame
- 2.3.8. Louvers to have Insect Screen – 18-16 Mesh
- 2.3.9. Louvers to have Baked Powder Polyester Coating
- 2.3.10. Louvers to have Baked Powder Fluoropolymer Coating
- 2.3.11. Louvers to have Baked Powder Clear Coat
- 2.3.12. Louvers to be Clear Anodized
- 2.3.13. Louvers to be Integral Color Anodized.

3.1. INSPECTION

Examine alignment of structural steel prior to installation and do not proceed until structure is within tolerances established by AISC.

3.2. INSTALLATION AND ERECTION

Install LV6035-6EA Stationary Aluminum Wall Louver and accessories in conformance with approved drawings and MOFFITT specifications.

3.3. DAMAGED MATERIAL

Repair or replace all damaged material.