

Econovent Natural Ventilation



MoffittCorp.com | (800) 474-3267
1351 13th Ave S. Suite 130
Jacksonville Beach, FL 32250



Econovent Table of Contents

Econovent Table of Contents.....	1
Econovent Product Details.....	3
Econovent Submittal Data	4
Econovent Filtered Intake Submittal Data.....	5
Econovent Dimensional Data.....	6
Econovent Dimensional Data cont.....	7

Econovent Product Details

PRODUCT DESCRIPTION

The Moffitt Econovent natural ventilators features a low silhouette that is architecturally appealing. It is designed for exhaust relief or air intake applications. It is available in galvanized steel, aluminum, or stainless steel construction.

STANDARD FEATURES

- Galvanized steel construction
- 1/2" Mesh galvanized bird screen
- Hoods on larger units reinforced
- Vertical base seams
 - Larger units: continuously-welded
 - Smaller units: spot-welded
- Hood fastened to throat with sheet metal fasteners
- Integral curb cap
- Mill finish

OPTIONAL FEATURES

- Roof Curb
- Anti-condensate coating
- 1/2" Fiberglass insulation
- Aluminum construction
- Screens
 - Aluminum bird screen
 - Insect screen
- Air dry enamel
- Extra strength construction (100 mph)
- Back draft damper

PRODUCT BENEFITS

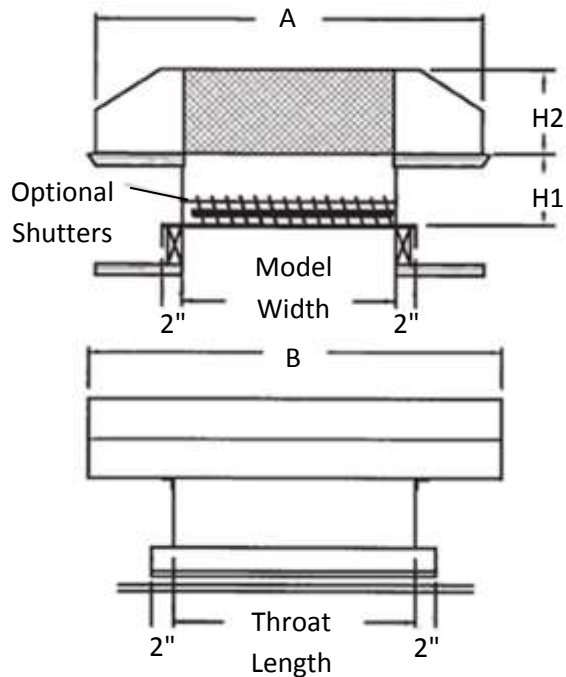
- No Operating Costs
- No Wiring Costs
- No Starter Costs
- No Maintenance Costs
- No Noise

INDUSTRY APPLICATIONS

- | | | |
|--------------------------|-------------------------|--------------------|
| • Aluminum Manufacturing | • Foundries & Forges | • Power Generation |
| • Aluminum rolling | • General Manufacturing | • Steel Mills |
| • Chemicals | • Glass Production | • Warehouses |

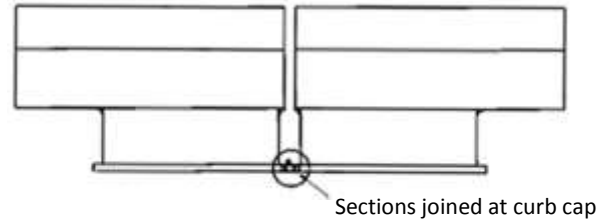
All Specifications are subject to change without notice unless approved in submittal by Moffitt

Econovent Submittal Data



Series 100- Exhaust
Series 200- Intake

Oversized & Special Units



When units have hoods with a dimension greater than 98" width or 144" in length, the ventilator is shipped in two or more sections. Almost no field assembly is required with the exception of joining the ventilator at the curb as shown above.

STANDARD FEATURES

- Galvanized steel construction
- 1/2" Mesh galvanized bird screen
- Hoods on larger units reinforced
- Vertical base seams
 - Larger units: continuously-welded
 - Smaller units: spot-welded
- Hood fastened to throat with sheet metal fasteners
- Integral curb cap
- Mill finish

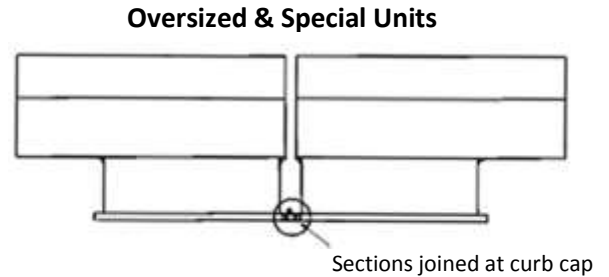
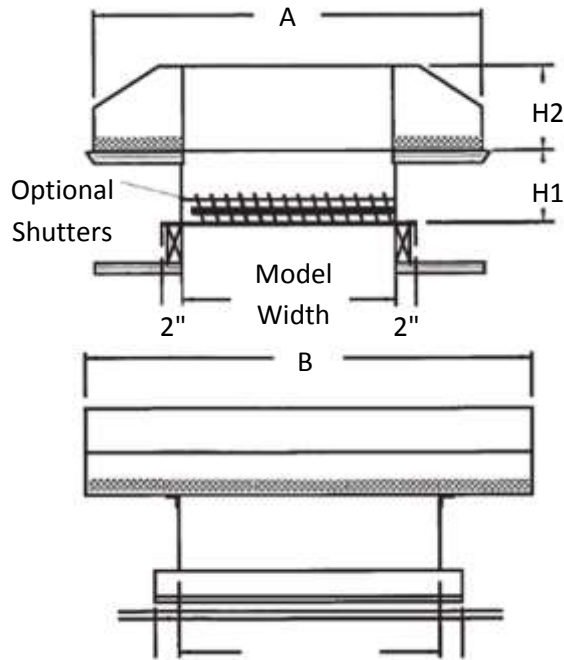
OPTIONAL FEATURES

- Roof Curb
- Anti-condensate coating
- 1/2" Fiberglass insulation
- Aluminum construction
- Screens
 - Aluminum bird screen
 - Insect screen
- Air dry enamel
- Extra strength construction (100 mph)
- Back draft damper

QTY	MODEL + THROAT W X L	HOOD SIZE A X B	HEIGHT H1 + H2	MATERIAL		CFM	THROAT VELOCITY	PRESSURE DROP	NO OF SECTIONS
				GALV	ALUM				

--	--	--	--	--	--	--	--	--	--

Econovent Filtered Intake Submittal Data



When units have hoods with a dimension greater than 98" width or 144" in length, the ventilator is shipped in two or more sections. Almost no field assembly is required with the exception of joining the ventilator at the curb as shown above.

STANDARD FEATURES

- Galvanized steel construction
- 1/2" Mesh galvanized bird screen
- Hoods on larger units reinforced
- Vertical base seams
 - Larger units: continuously-welded
 - Smaller units: spot-welded
- Hood fastened to throat with sheet metal fasteners
- Integral curb cap
- Mill finish

OPTIONAL FEATURES

- Roof Curb
- Anti-condensate coating
- 1/2" Fiberglass insulation
- Aluminum construction
- Screens
 - Aluminum bird screen
 - Insect screen
- Air dry enamel
- Extra strength construction (100 mph)
- Back draft damper

QTY	MODEL + THROAT W X L	HOOD SIZE A X B	HEIGHT H1 + H2	MATERIAL		CFM	THROAT VELOCITY	PRESSURE DROP	NO OF SECTIONS
				GALV	ALUM				

All specifications are subject to change without notice unless approved in submittal by Moffitt

Econovent Dimensional Data

Square Foot Areas, Dimensions and Shipping Weights - Length x Width

LENGTH	WIDTH								
	12	14	16	18	20	24	30	36	
12	1.0 18 20 X 20 4 4								
14	1.2 22 20 X 22 4 4	1.4 27 24 X 24 5 5							
16	1.3 25 20 X 24 4 4	1.5 27 24 X 26 5 5	1.8 27 26 x 26 5 5						
18	1.5 25 20 X 26 4 4	1.7 27 24 X 28 5 5	2.0 33 26 x 28 5 5	2.3 39 30 x 30 5 6					
20	1.7 31 22 X 30 5 5	1.9 31 24 X 30 5 5	2.2 34 26 x 30 5 5	2.5 40 30 x 32 5 6	2.8 39 32 x 32 5 6				
24	2.0 33 22 X 34 5 5	2.3 33 24 X 34 5 5	2.7 38 29 x 37 5 6.5	3.0 41 30 x 36 5 6	3.3 65 32 x 36 5 6	4.0 87 40 x 40 7 8			
30	2.5 48 22 X 40 5 5	2.9 58 26 X 42 6 6	3.3 62 29 x 43 5 6.5	3.7 72 32 x 34 6 7	4.2 79 35 x 45 6 7.5	5.0 94 40 x 46 7 8	6.2 118 50 x 50 7 10		
36	3.0 56 24 X 48 5 6	3.5 64 26 X 48 6 6	4.0 69 29 x 49 5 6.5	4.5 82 30 x 50 6 7	5.0 89 35 x 51 6 7.5	6.0 105 40 x 52 7 8	7.5 128 50 x 56 7 10	9.0 184 60 x 60 9 12	
42	3.5 62 24 X 54 5 6	4.1 71 26 X 54 6 6	4.7 74 29 x 55 5 6.5	5.2 88 30 x 56 6 7	5.8 97 35 x 57 6 7.5	7.0 122 43 x 61 8 9.5	8.7 138 50 x 62 7 10	10.5 197 60 x 66 9 12	
48	4.0 68 24 X 60 5 6	4.7 80 28 X 62 6 7	5.3 85 31 x 63 6 7.5	6.0 106 36 x 66 7 9	6.7 113 38 x 66 7 9	8.0 132 43 x 67 8 9.5	10.0 157 53 x 71 8 11.5	12.0 210 60 x 72 9 12	
54	4.5 74 24 X 66 5 6	5.3 87 28 X 68 6 7	6.0 62 31 x 69 6 7.5	6.7 115 36 x 72 7 9	7.5 122 38 x 72 7 9	9.0 141 43 x 73 8 9.5	11.2 168 53 x 77 8 11.5	13.5 236 63 x 81 10 13.5	
60	5.0 81 24 X 72 5 6	5.8 94 28 X 74 6 7	6.7 99 31 x 75 6 7.5	7.5 123 36 x 78 7 9	8.3 134 38 x 78 7 9	10.0 176 46 x 82 9 11	12.5 201 53 x 83 8 11.5	15.0 257 63 x 87 10 13.5	
72	6.0 87 24 X 84 5 6	7.0 110 28 X 86 6 7	8.0 116 31 x 87 6 7.5	9.0 143 36 x 90 7 9	10.0 152 38 x 90 7 9	11.0 208 46 x 94 9 11	15.0 240 55 x 97 9 12.5	18.0 303 65 x 101 11 14.5	
84	7.0 95 24 X 96 5 6	8.2 123 28 X 98 6 7	9.3 130 31 x 99 6 7.5	10.5 160 36 x 102 7 9	11.7 169 38 x 102 7 9	12.0 231 46 x 106 9 11	17.5 264 55 x 109 9 12.5	21.0 330 65 x 113 11 14.5	
96	8.0 107 24 X 108 5 6	9.3 139 28 X 110 6 7	10.7 150 31 x 111 6 7.5	12.0 180 36 x 114 7 9	13.3 199 38 x 114 7 9	14.0 266 46 x 118 9 11	20.0 300 55 x 121 9 12.5	24.0 384 65 x 125 11 14.5	
108	9.0 117 24 X 120 5 6	10.5 157 28 X 122 6 7	12.0 168 31 x 123 6 7.5	13.5 202 36 x 126 7 9	15.0 225 38 x 126 7 9	18.0 342 46 x 130 9 11	22.5 337 55 x 133 9 12.5	27.0 432 65 x 137 11 14.5	
120	10.0 130 24 X 132 5 6	11.7 175 28 X 134 6 7	13.3 186 31 x 135 6 7.5	15.0 225 36 x 138 7 9	16.7 250 38 x 138 7 9	20.0 380 46 x 144 9 11	25.0 375 55 x 143 9 12.5	30.0 480 65 x 143 11 14.5	

Legend

Throat Area Net WT Galv.
A X B
H1 H2

Econovent Dimensional Data cont.

Square Foot Areas, Dimensions and Shipping Weights - Length x Width

		WIDTH						
		42	48	54	60	72	84	96
LENGTH	42	12.2 68 x 68 10 13 239						
	48	14.0 68 x 74 10 13 253	16.0 77 x 77 11 5 287					
	54	15.7 71 x 83 11 5 283	18.0 77 x 83 11 5 303	20.0 83 x 83 12 5 339				
	60	17.5 71 x 89 11 5 313	20.0 80 x 92 12 16 339	22.5 83 x 88 12 5 351	25.0 83 x 96 12 5 375			
	72	21.0 74 x 104 11 16 364	24.0 83 x 107 12 17 405	27.0 91 x 96 13 22 425	30.0 91 x 107 13 22 455	36.0 96 x 120 13 22 511		
	84	14.5 74 x 116 11 16 397	28.0 83 x 119 12 17 440	31.5 91 x 113 13 22 459	35.0 91 x 125 13 22 512	42.0 110 x 124 13 24 766	49.0 118 x 134 13 27 911	
	96	28.0 74 x 128 11 16 440	32.0 83 x 131 12 17 512	36.0 91 x 129 13 22 512	40.0 91 x 144 13 22 550	48.0 110 x 142 13 24 822	56.0 118 x 154 13 27 960	64.0 120 x 152 14 30 1149
	108	31.5 74 x 140 11 16 504	36.0 83 x 143 12 17 576	40.5 91 x 144 13 22 544	45.0 96 x 152 13 22 710	54.0 118 x 150 14 27 882	63.0 118 x 172 14 29 1004	72.0 120 x 172 14 30 1212
	120	35.0 74 x 152 11 16 595	40.0 83 x 155 12 17 640	45.0 91 x 160 13 22 684	50.0 96 x 170 13 22 746	60.0 118 x 166 14 27 937	70.0 118 x 90 14 29 1052	80.0 120 x 190 14 30 1269

Legend

Throat Area A X B H1	Net WT Galv. A X B H2
----------------------------	-----------------------------