

Ridgepac

Ridge Mounted Natural Ventilator



MoffittCorp.com | (800) 474-3267
1351 13th Ave S. Suite 130
Jacksonville Beach, FL 32250



Ridgepac Table of Contents

Ridgepac Table of Contents	2
Ridgepac Product Details	3
Ridgepac Ridge Ventilator Submittal Data (9, 12)	4
Ridgepac Ridge Ventilator Submittal Data (15, 18, 24)	5
Ridgepac Assembly Instructions (9, 12)	6
Ridgepac Assembly Instructions (15, 18, 24)	7
Ridgepac Operator Instructions	8

Ridgepac Product Details

PRODUCT DESCRIPTION

The Moffitt RidgePac is designed to be mounted on the ridge of the building to ensure maximum warm air exhaust. This natural ventilator has been designed to be highly efficient, aesthetically pleasing, and a good value with low-cost per CFM.

Furnished in self-contained ten-foot modular units, the RidgePac is made for fast and easy installation. Units sit end-to-end with one another, overlapping to ensure that there are no gaps and no leakages. As such, they can fit any building, regardless of length, and can be used in any application. Sizes 9" thru 24" and factory assembled. Custom orders are available as are a variety of optional features.

STANDARD FEATURES

- Throat sizes 9" – 24"
- Lengths 10' – 1000'+
- Installation Instructions
- Birdscreen
- Throat sizes 9" – 24"

OPTIONAL FEATURES

- Dampers
 - Manual
 - Pull Chain
 - Indirect Operator
 - Motorized
 - 115V Motor
- Custom Finish
- Special Materials
- Aluminum
- Stainless Steel

PRODUCT BENEFITS

- Zero Maintenance Cost.
- Zero Operating Cost.
- No Gutters within opening.
- Greater Efficiency permits fewer, lower cost installations.
- Low silhouette blends smoothly with structure.
- Fits all common roof slopes.
- Keeps air moving, prevents moisture condensation, and exhaust heat & harmful fumes & vapors.

INDUSTRY APPLICATIONS

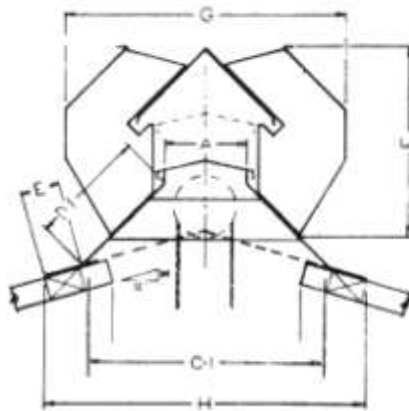
- | | | |
|-------------------------|-------------------|--------------------------|
| • Warehouses | • Aluminum Plants | • Mine Processing Plants |
| • General Manufacturing | • Glass Plants | • Pulp & Paper Plants |
| • Storage Facilities | • Power Plants | • +Others |
| • Steel Plants | • Chemical Plants | |

Ridgepac Small Natural Ventilator

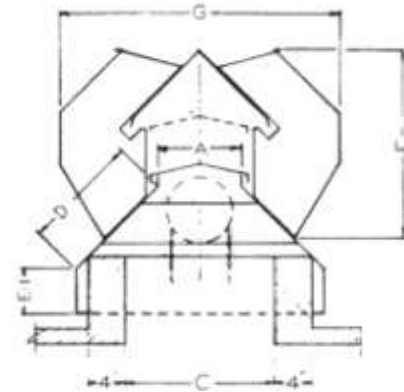
Ridgepac Ridge Ventilator Submittal Data (9, 12)

RIDGEPAC -9

RIDGEPAC -12



PEAK ROOF DETAIL



FLAT ROOF DETAIL

MODEL	C	C-1	D	D-1	E	F	G	H
RIDGEPAC -9	11 ¼	19	8 5/8	7 5/8	3	15 ½	22 5/8	25 5/8
RIDGEPAC -12	14 ¼	23	8 7/8	7 7/8	3	16 5/8	28 1/8	28 7/8

Throat Size	GALV GA.	NET WT. /FT.	ALUM THICKNESS	NET. WT. / FT.	Throat Free Area per 10' Section (FT ²)
9"	24	14	0.80"	6	7.5
12"	24	22	0.80"	12	10

Number of runs	Model	"L" Length of Run	Slope	Damper	Assem 10' Sections	K.D.	Options

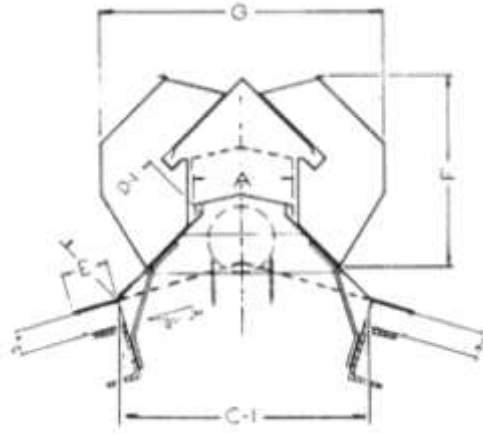
Ridgepac Small Natural Ventilator

Ridgepac Ridge Ventilator Submittal Data (15, 18, 24)

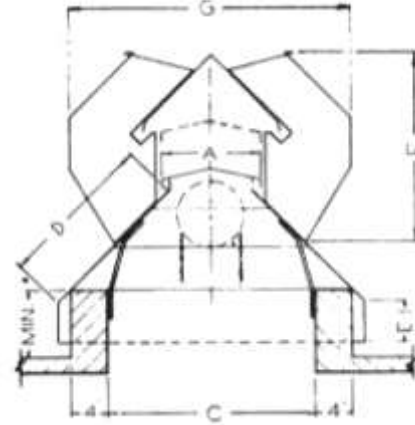
RIDGEPAC -15

RIDGEPAC -18

RIDGEPAC -24



PEAK ROOF DETAIL



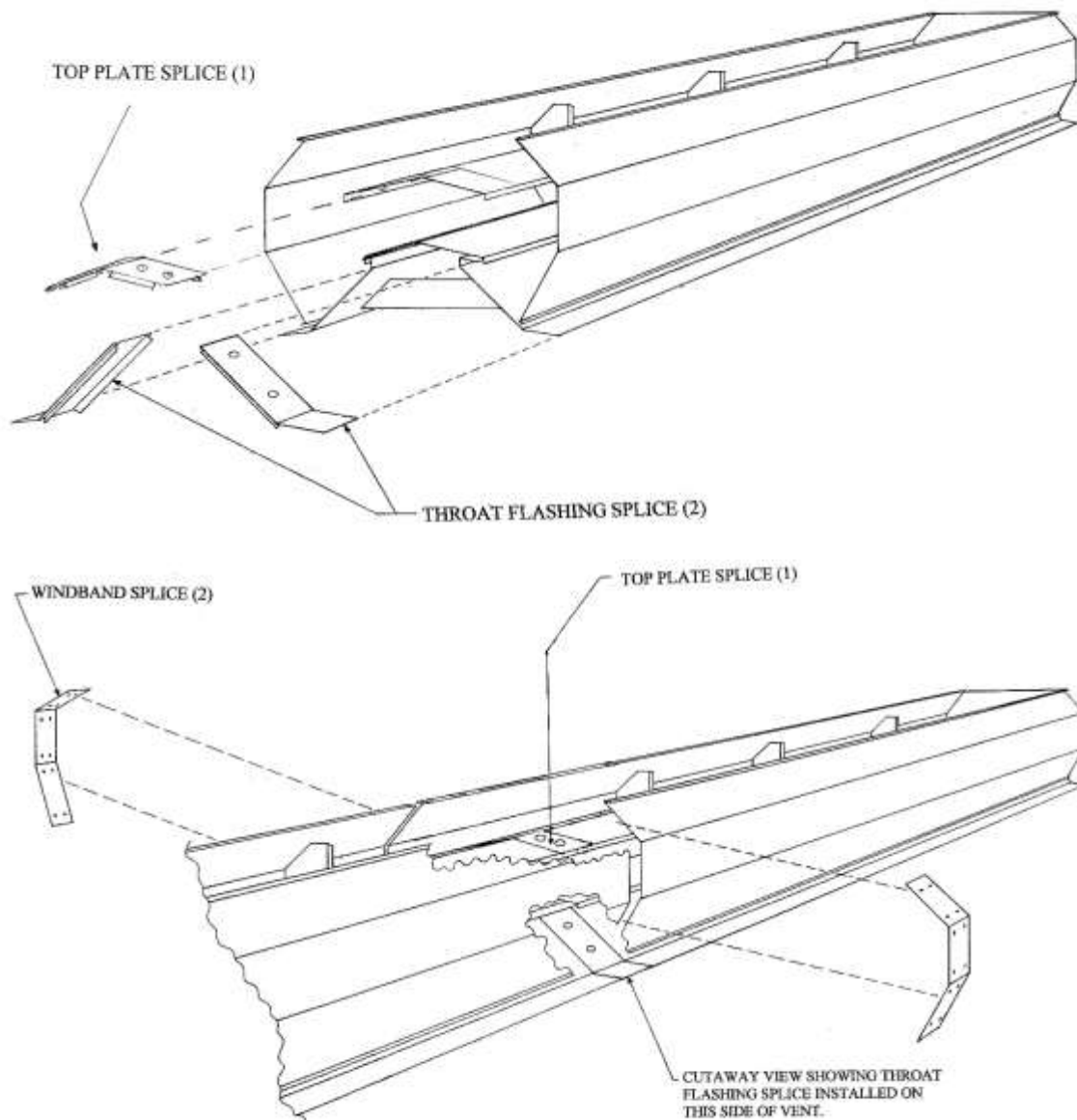
FLAT ROOF DETAIL

MODEL	C	C-1	D	D-1	E	F	G	H
RIDGEPAC -15	19 1/8	26 1/8	9	9	3	20	34 1/8	X
RIDGEPAC -18	22	30	9 1/2	9 1/2	3	26 1/2	42 1/2	X
RIDGEPAC -24	29 1/2	38 1/2	12 3/8	12 3/8	3	34 1/2	55	X

Throat Size	GALV GA.	NET WT. /FT.	ALUM THICKNESS	NET. WT. / FT.	Throat Free Area per 10' Section (FT ²)
15"	22	31	20	14	12.5
18"	20	36	18	17	15
24"	20	57	16	26	20

Number of runs	Model	"L" Length of Run	Slope	Damper	Assem 10' Sections	K.D.	Options

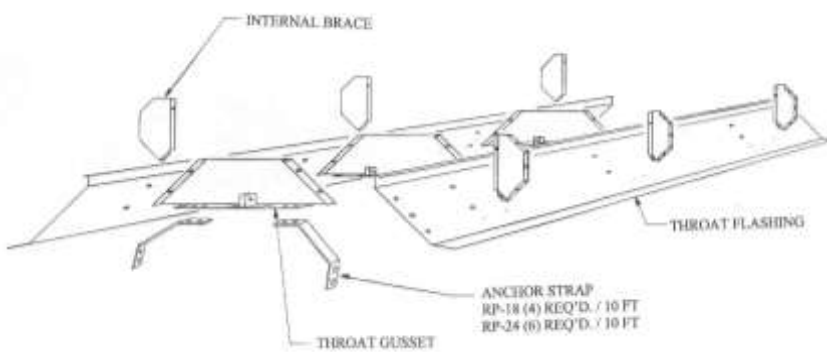
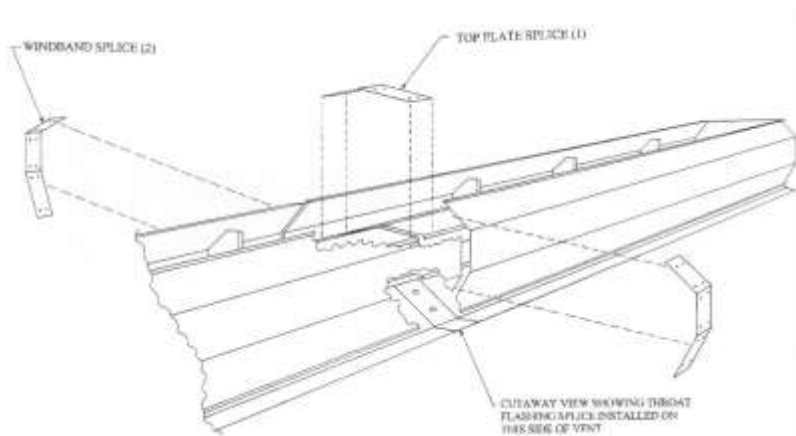
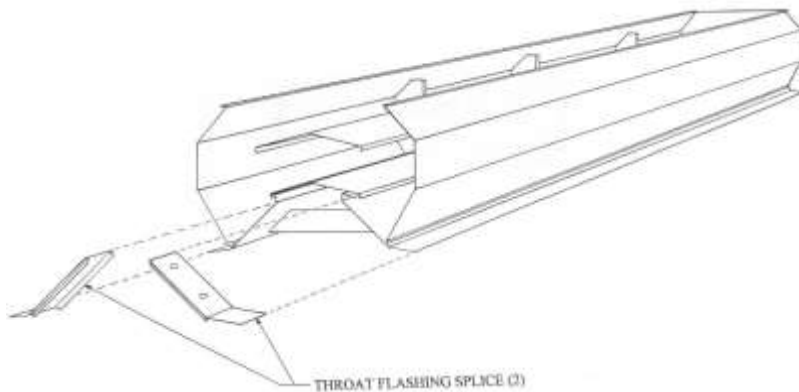
Ridgepac Assembly Instructions (9, 12)



1. Uncrate units
2. Set end unit "a" over roof opening.
3. Install (2) throat flashing splices and (1) top plate splice at open end of unit
4. Set an intermediate unit over roof opening, maintaining a 3/8" gap between units. Note: the units must be installed straight and true both vertically and horizontally along the length of the run.
5. Repeat steps 2, 3 and 4, for remainder of intermediate units.
6. Set end unit (end of run)
7. Install wideband splices, fasten with # 10 x 3/4" tek screws.

Ridgepac Small Natural Ventilator

Ridgepac Assembly Instructions (15, 18, 24)



1. Set end operator unit on roof opening and fasten to roof. Anchor straps are required for units with throat widths of 18" and 24". The anchor straps should be attached to the throat gussets prior to setting the units on the roof opening.
 - a. 18" units require four anchor straps—two at each end throat gusset.
 - b. 24" units require six anchor straps, two at each end throat gusset and two at the center throat gusset.
2. Loosen the screws at the damper filler plate on intermediate and end added unit. Move the damper filler plate so that it extends beyond the end of the unit, and re-tighten the screws. This fills the gap between the dampers when the units are assembled. Make sure that the damper filler plate is under the dampers.
3. Install two throat flashing splices at the open end of the unit.
4. Set intermediate unit on the roof opening, maintaining a 3/8" gap between units. The arrow on the unit should point towards the operator unit. If intermediate operator units are required, see the unit location plan to determine their locations. Note: the units must be installed straight both vertically and horizontally along the length of the run to avoid binding of the operator bars.
5. Repeat steps 2, 3, and 4 for all intermediate units.
6. Set end added unit.
7. Loosen screen at ends of each unit.
8. Install top plate splice. Caulk between splice and top plate, and fasten with #10 self-tapping screws.
9. Replace screen and splice ends together.
10. Install windband splices with #10 self-tapping screws.
11. Remove shipping straps, tire wires or other obstructions to free operator bar movement.
12. With all dampers in the closed position, assemble the operator bar splices, adjust and tighten the 1.1" lock nuts.

Ridgepac Operator Instructions

MANUAL WINCH OPERATOR

1. Install the winch and attach the cable per the winch manufacturer instructions.
2. If idler pulleys are used for cable direction change, install the pulleys and thread the cable thru the pulley brackets.

MANUAL CHAIN OPERATOR

1. Release the chain from the bottom of the operator unit.
2. If idler pulleys are used for chain direction, change, mount the pulleys and thread the chain thru the pulley brackets.

ELECTRIC OPERATOR

1. The electric actuator is factory installed and requires no adjustment. Motor manufacturer wiring diagram and recommendations are included in the installation instructions.

PNEUMATIC OPERATOR

1. The pneumatic cylinder is factory installed and requires no adjustment. Connector the air supply to the w' port in the cylinder. Use minimum w' pipe to provide maximum air volume to cylinder.
2. Line lubricators and filters are recommended in the air supply line. The air requirement is 60-90 psi, depending on unit size and run length.