

EcoStream 90 Natural Intake Ventilation



MoffittCorp.com | (800) 474-3267
1351 13th Ave S. Suite 130
Jacksonville Beach, FL 32250



EcoStream 90 Natural Intake Louver

EcoStream 90 Product Details

PRODUCT DESCRIPTION

EcoStream 90 (ES90) Industrial Wall Louvers are specially fabricated to meet the rigors of heavy industry while providing maximum free area and performance. The design consists of 90° adjustable blades and heavy-duty construction, built to withstand higher structural requirements and greater airflow needs.

PRODUCT BENEFITS

- Uses no energy, has no operating costs, and requires little to no maintenance.
- Designed to mount flush with interior wall or exterior building façade.

STANDARD FEATURES

- Adjustable Blades, Full opening, 90° angles
- Max free area is 82%, louver is 80% free area
- Galvanized Steel Construction – Mill finish
- Mullion Covers & Fasteners
- Mounting Clips & Installing Fasteners
- Bird Screen: 3/4" mesh 20 ga. Galvanized Steel
- Operator: Spring loaded pull chain w/ 10' chain & clip
- Mounting: Flush with interior or exterior building façade
- Lightweight (on select product models)

OPTIONAL FEATURES

- Multiple panel wide x high
- Materials
 - Aluminum
 - Stainless Steel
- 1.5" Face Flange
- Blade Seals
- Stainless steel jamb seals
- Screens
 - Aluminum bird screen
 - Stainless steel bird screen
- Urethane finish to color match
- Operator
 - Manual chain pull

INDUSTRY APPLICATION

- | | | |
|-------------------------|--------------------------|-----------------------|
| • Aluminum Plants | • Glass & Glass Products | • Power Stations |
| • Automotive Plants | • Gypsum Plants | • Pulp & Paper Plants |
| • Cement & Concrete | • Heavy Manufacturing | • Specialty Chemicals |
| • Chemical Plants | • Mining & Minerals | • Steel Mills |
| • Foundries & Forging | • Plastics Plants | • Warehouses |
| • General Manufacturing | • Processing Industry | • +Others |

EcoStream 90 Natural Intake Louver

EcoStream 90 Product Details

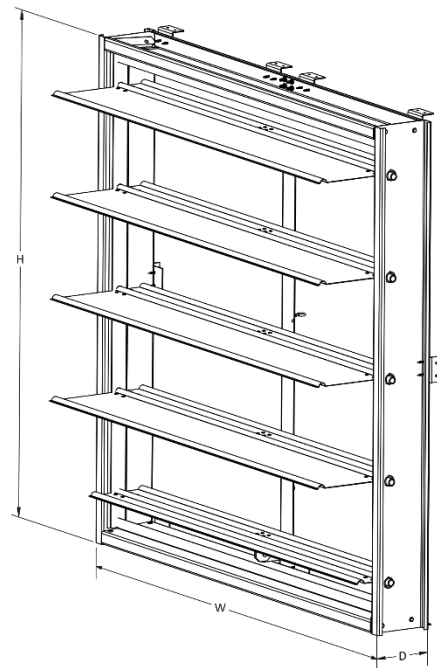
STANDARD FEATURES

- Adjustable Blades
- Blade angle: 90°
- Frame Material: 12Ga Galvanized steel
- Blade Material: 18Ga Galvanized steel
- Bearings: Heavy-duty, self-lubricating nylon
- Jamb Seals: Stainless steel
- Finish: Mill finish
- Mullion Covers & Fasteners: Included
- Mounting Clips & Installing Fasteners: Included, 2' on center
- Bird Screen: 3/4" mesh 20 ga. Galvanized Steel (shipped loose for field install)
- Operator: Spring loaded pull chain w/ 10' chain & clip

Nominal Height	Actual Height	# Of Blades
24"	23.75"	2
36"	35.75"	3
48"	47.75"	4
60"	59.75"	5
72"	71.75"	6
84"	83.75"	7
96"	95.75"	8
108"	107.75"	9
120"	119.75"	10

OPTIONAL FEATURES

- Blade Seals; Multiple panels, width x height configurations
- Frame: Face Flange
- Materials:
 - Galvanized steel
 - Aluminum
 - Specialty Alloy
- Screen:
 - Aluminum Insect, 3/4" mesh
 - Stainless Steel, 1/2" mesh
 - Expanded Aluminum
- Finish:
 - Urethane to color match
- Operators
 - Manual chain pull & hand crank
 - Hand wheel and hack-shafting operator 115v motor operator

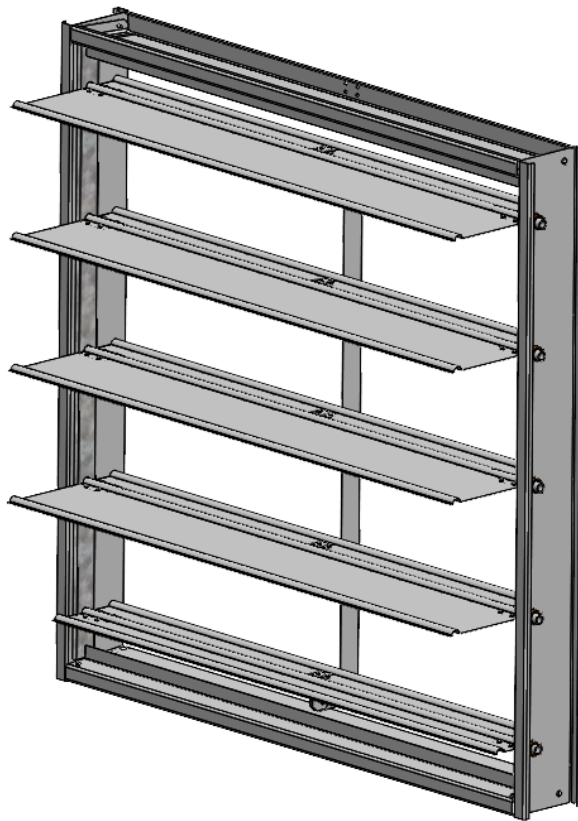


Nominal Height	Height H	Width W	Depth D	Weight	# Of Blades

EcoStream 90 Natural Intake Louver

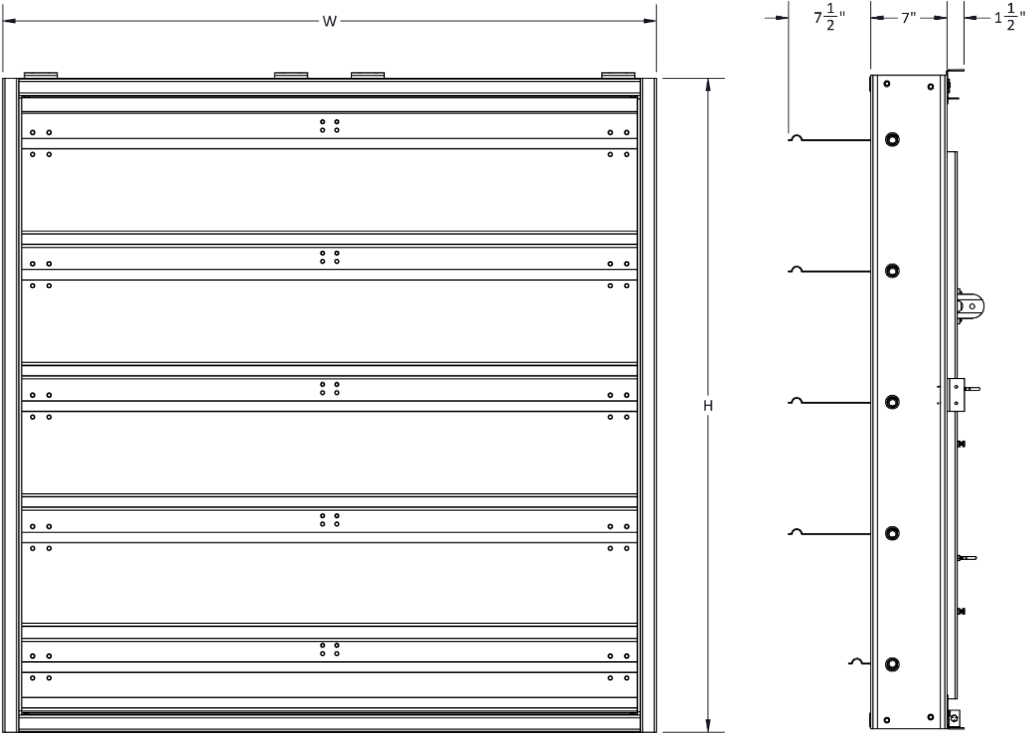
EcoStream 90 – Free Area Percentage

WIDTH (IN)	HEIGHT (IN)								
	36	42	48	60	72	84	96	108	120
36	66.4%	56.9%	70.2%	72.5%	74.1%	75.2%	76.0%	76.6%	77.1%
42	67.5%	57.8%	71.4%	73.7%	75.3%	76.4%	77.3%	77.9%	78.4%
48	68.3%	58.5%	72.2%	74.6%	76.2%	77.3%	78.2%	78.9%	79.4%
54	68.9%	59.1%	72.9%	75.3%	76.9%	78.1%	78.9%	79.6%	80.1%
60	69.4%	59.5%	73.5%	75.9%	77.5%	78.7%	79.5%	80.2%	80.7%



EcoStream 90 Natural Intake Louver

EcoStream 90 - Free Area Percentage



EcoStream 90 Natural Intake Louver

EcoStream 90 Components Summary

