

# *Model HFSB* Hooded Filtered Supply Fan

---



MoffittCorp.com | (800) 474-3267  
1351 13th Ave S. Suite 130  
Jacksonville Beach, FL 32250



# Model HFSB Hooded Filtered Supply Fan

---

## Model HFSB Hooded Filtered Supply Fan

### PRODUCT DESCRIPTION

Model HFS Hooded Filtered Supply Fans provide fresh or make up air that is cleansed of dust and other entrapped particle matter. Propellers shall be statically and dynamically balanced. The model HFS helps the building owner and occupants to meet health and air pollution requirements. These fans are ideal for both industrial and commercial applications.

### STANDARD FEATURES

- Sizes: 24" – 60"
- CFM Range: 5,000 – 100,000 +
- Drive: Belt
- Propellers: High-performance statically and dynamically balanced
- Housing: Heavy-Gauge Galvanized Steel with vertical welded seams.
- Hoods: Heavy-Gauge galvanized steel with interlocking ribs at the seams.
- Hood Access: Hinged Hood for easy access to fan, motor, belts, pulleys, and propeller
- Coating: Polyurethane
- Fan Drives: 165% of driven HP.
- Motor Drives: 7-1/2 HP variable pitch
- Bearings: Self-aligning pillow block bearings for a minimum (L50) life more than 200,000 hours at maximum cataloged speeds
- Inlet: Integral Deep Spun Inlet
- Filters: 2" washable aluminum filters
- Bird Screen: 1/2" mesh, 19 ga. galvanized steel
- Instructions: Operation & Maintenance instructions & assembly drawings
- Direction: Reversible Application

### INDUSTRY APPLICATION

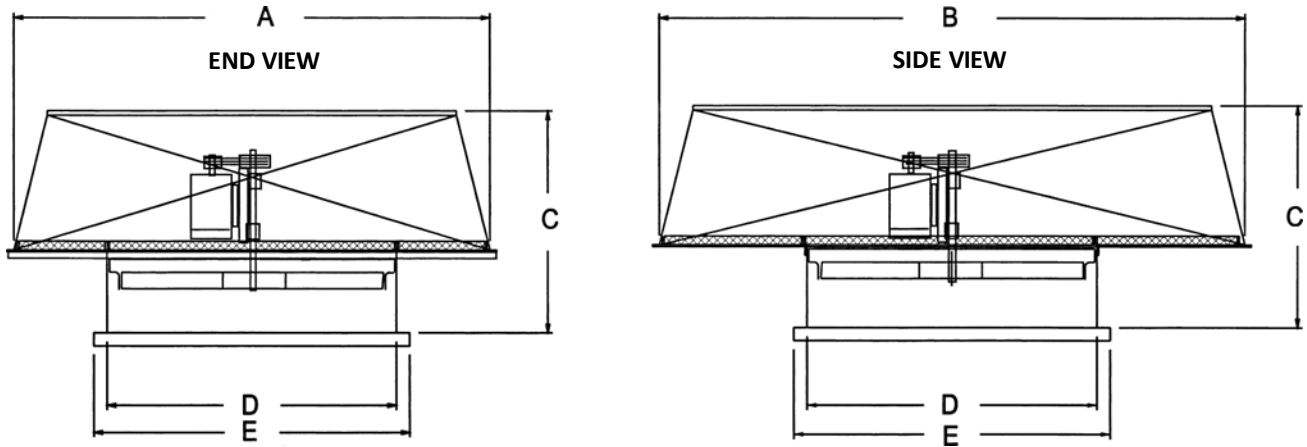
- |                        |                          |                       |
|------------------------|--------------------------|-----------------------|
| • Aluminum Plants      | • General Manufacturing  | • Pulp & Paper Plants |
| • Automotive Plants    | • Glass & Glass Products | • Schools             |
| • Cement & Concrete    | • Heavy Manufacturing    | • Shipping Centers    |
| • Chemical Plants      | • Industrial Plants      | • Steel Mills         |
| • Commercial Buildings | • Mining & Minerals      | • Supermarkets        |
| • Equipment Rooms      | • Plastics Plants        | • Warehouses          |
| • Foundries & Forging  | • Power Stations         | • +Others             |

### OPTIONAL FEATURES

- Coatings
  - Color to match Enamel
  - Urethane Powder
  - Epoxy
- Curbs: Type CF and SF prefabricated curbs are available.
- Dampers
  - Model RBD counterbalance backdraft dampers.
  - Motorized operation is available.
  - Model RVC motorized heavy-duty center pivot.
- Safety Guards
- Disconnect Switches
  - NEMA 1 - Indoor general purpose
  - NEMA 3R - Exterior mount, rain-tight
  - NEMA 4 - Water-tight and dust-tight.
- Extended lubrication lines
- Hood insulation – 1/2" or 1-1/2" thickness insulation is available.
- High wind tie-down points

# Model HFSB Hooded Filtered Supply Fan

## Model HFSB Hooded Filtered Supply Fan Submittal Data



FAN SIZE	DIMENSIONS (inches)					BASE GAUGE	HOOD GAUGE	DAMPER SIZE (ins. sq.)	ROOF OPENING (ins. sq.)	APPROX. WEIGHT (lbs.)
	A	B	C	D	E					
24	71	71	32	30.25	36	16	20	24	26.5	295
30	81	81	34	36.25	42	16	20	30	32.5	370
36	91	91	37	42.25	48	16	20	36	38.5	615
42	99	99	38	48.25	54	16	20	42	44.5	725
48	99	120	43	54.25	60	14	20	48	50.5	850
54	99	144	47	60.25	66	14	18	54	56.5	975
60	116	144	50	66.25	72	14	18	60	62.5	1200

All specifications are subject to change without notice unless approved in submittal by Moffitt

# Model HFSB Hooded Filtered Supply Fan

## Model HFS- Steel Propeller Performance Data

MODEL	HP	RPM	TIP SPEED	MAX BHP	*SONES	STATIC PRESSURE (ins. w.g.) / CAPACITY (cfm)						
						0	.10	.125	.25	.375	.50	.625
HFS-242S	1/3	751	4719	.36	17.5	5325	4793	4611	3196			
HFS-243S	1/2	862	5416	.54	22.1	6112	5671	5537	4484			
HFS-244S	3/4	994	6246	.84	27.1	7048	6690	6576	5853	4786	3703	
HFS-245S	1	1090	6849	1.10	29.3	7729	7413	7318	6790	5873		
HFS-303S	1/2	611	4799	.57	17.9	8398	7534	7255	4697			
HFS-304S	3/4	698	5482	.86	21.6	9594	8898	8659	6877	4384		
HFS-305S	1	758	5953	1.09	23.8	10419	9820	9600	8155	6006		
HFS-306S	1-1/2	867	6809	1.64	28.7	11917	11446	11277	10316	8713	6720	4721
HFS-363S	1/2	470	4430	.57	17.2	10651	8934	8290	4872			
HFS-364S	3/4	532	5014	.83	20.3	12056	10622	10169	7294			
HFS-365S	1	585	5514	1.11	23.0	13258	12025	11613	9129	6352		
HFS-366S	1-1/2	670	6315	1.66	27.3	15184	14217	13862	11892	9584	7109	
HFS-367S	2	735	6927	2.21	31.2	16657	15845	15540	13900	11801	9692	7408
HFS-368S	3	841	7926	3.31	38.9	19059	18350	18172	16791	15205	13370	11526
HFS-425S	1	424	4662	1.11	19.3	16523	14762	14226	10254			
HFS-426S	1-1/2	482	5300	1.65	21.7	18783	17333	16861	13716	10022		
HFS-427S	2	583	5861	2.21	24.4	22719	21622	21297	19347	16370	13464	10091
HFS-428S	3	615	6762	3.34	30.7	23966	22926	22640	20826	18223	15446	12409
HFS-486S	1-1/2	400	5027	1.87	23.8	21794	18938	18042	13352	8167		
HFS-487S	2	442	5554	2.21	26.8	24082	21620	20836	16768	12213	7405	
HFS-488S	3	505	6346	3.45	32.6	27515	25360	24821	21333	17606	13601	9393
HFS-548S	3	415	5867	3.31	25.2	32514	29786	28992	23507	18084		
HFS-549S	5	495	6998	5.53	32.8	38782	36652	35987	32100	27271	22624	
HFS-5410S	7-1/2	569	8044	8.26	48.3	45580	42861	42297	39403	35507	31193	26982
HFS-608S	3	346	5435	3.30	25.1	37747	33649	32441	25277	18532		
HFS-609S	5	410	6440	5.52	35.9	44729	41520	40501	34722	28880	23293	
HFS-6010S	7-1/2	471	7398	8.26	43.3	51384	48769	47945	43509	37846	32978	28281
HFS-6011S	10	518	8137	11.05	53.0	56511	54134	53514	49541	44859	39979	35577

## Model HFS - Cast Aluminum Propeller Performance Data

MODEL	HP	RPM	TIP SPEED	MAX BHP	*SONES	STATIC PRESSURE (ins. w.g.) / CAPACITY (cfm)						
						0	.10	.125	.25	.375	.50	.625
HFS-242A	1/3	910	5718	.38	14.5	4952	4308	4124	3036			
HFS-243A	1/2	1044	6560	.57	16.8	5682	5140	4983	4108	3115		
HFS-244A	3/4	1189	7471	.85	19.3	6471	6017	5880	5157	4327	3453	
HFS-245A	1	1307	8212	1.12	22.6	7113	6713	6594	5968	5249	4461	3662
HFS-303A	1/2	773	6071	.54	14.4	7486	6670	6431	5015	3570		
HFS-304A	3/4	889	8609	.83	17.9	8609	7938	7732	6599	5357	4061	
HFS-305A	1	971	7626	1.09	20.4	9403	8808	8629	7675	6465	5404	4150
HFS-363A	1/2	664	6258	.58	16.9	9837	8611	8248	5822			
HFS-364A	3/4	757	7135	.85	19	11215	10190	9880	7978	5582		
HFS-365A	1	834	7860	1.15	21.5	12356	11459	11187	9688	7652	5293	
HFS-366A	1-1/2	930	8765	1.59	24.6	13778	13015	12771	11498	9837	7990	5846
HFS-367A	2	1020	9613	2.10	27.7	15111	14454	14232	13098	11837	10130	8395
HFS-368A	3	1166	10989	3.13	32.9	17274	16719	16567	15597	14579	13441	11894
HFS-425A	1	680	7477	1.15	19.6	14686	13171	12731	10333			
HFS-426A	1-1/2	759	8346	1.61	23	16392	15081	14695	12678	10465		
HFS-427A	2	836	9192	2.15	26.6	18055	16902	16561	14780	12754	10893	
HFS-428A	3	961	10567	3.27	32.5	20754	19810	19514	17987	16409	14592	12958
HFS-429A	5	1140	12535	5.45	42.5	24620	23850	23657	22408	21094	19788	18331
HFS-486A	1-1/2	664	8344	1.62	24	20339	18621	18098	15230	11739		
HFS-487A	2	734	9224	2.18	26.1	22483	20993	20532	18098	15095	11914	
HFS-488A	3	845	10619	3.33	33.2	25883	24690	24289	22235	20022	17311	14549
HFS-489A	5	993	12478	5.40	40.4	30416	29438	29193	27487	25706	23855	21575
HFS-548A	3	605	8553	3.19	25.4	29908	28144	27611	24720	21304	17729	
HFS-549A	5	716	10122	5.29	31.9	35395	34030	33580	31255	28748	25861	22750
HFS-5410A	7-1/2	815	11522	7.81	39.5	40289	39104	38808	36828	34711	32469	29952
HFS-608A	3	532	8357	3.18	26.2	34440	32054	31338	27403	22713		
HFS-609A	5	631	9912	5.32	33.5	40849	38957	38380	35278	31847	27795	23914
HFS-6010A	7-1/2	719	11294	7.84	40.4	46546	44981	44488	41873	39010	35966	32331
HFS-6011A	10	793	12456	10.56	47.6	51337	44918	49563	47269	44760	42087	39292