

Model H Direct-Drive Hooded Roof Fan



MoffittCorp.com | (800) 474-3267
1351 13th Ave S. Suite 130
Jacksonville Beach, FL 32250



Model H Direct-Drive Hooded Roof Fan

Model H Direct-Drive Hooded Roof Fan Description

PRODUCT DESCRIPTION

Model H Direct-Drive Hooded Roof Fans are intended for general ventilation. Model H fans can be utilized for supply or exhaust. When used for exhaust they remove heat, moisture, contaminants, fumes, smoke, and grease. They can also be used to provide spot ventilation in specific problem areas. When used for intake, they bring fresh, cool air back down to the work floor.

STANDARD FEATURES

- Drive: Direct
- Sizes: 24" - 72"
- CFM Range: 5,320 - 16,476
- Propeller: High-performance, statically, and dynamically balanced
- Housing: Heavy gauge galvanized steel with vertical, interlocking welded seams
- Fan Base: All welded fan base.
- Motor: Heavy-Duty Ball Bearing Motor,
- Motor Support: Heavy duty struts of heavy-gauge, galvanized steel with interlocking ribs at the seams. Heavy duty ball-bearing motors to provide years of trouble-free operation.
- Birdscreen: 1/2" mesh galvanized, installed vertically along the fan base perimeter.
- Hood: Hinged to provide easy access to motors, belts, pulleys, and propellers.

OPTIONAL FEATURES

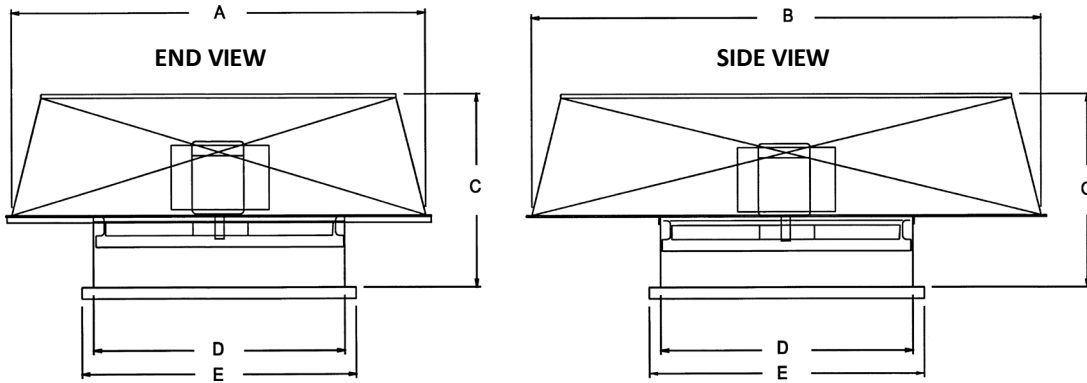
- Dampers:
 - Model RBD gravity dampers
 - Motorized
 - Model RVC heavy-duty backdraft dampers
- Testing: UL-705
- Safety guards
- Coatings
 - Color-to-match enamels
 - Epoxies
 - Urethanes
 - Urethane powder coating
- Disconnect switches
 - NEMA 1 - indoor general purpose,
 - NEMA 3r - exterior mount, rain-tight
 - NEMA 4 - water-tight and dust-tight.
- Hood insulation – 1/2" or 1-1/2" thickness insulation.
- High Wind Tie Down Points: Four tie-down points for cable attachment can be provided.

INDUSTRY APPLICATION

- | | | |
|------------------------|--------------------------|-----------------------|
| • Aluminum Plants | • General Manufacturing | • Pulp & Paper Plants |
| • Automotive Plants | • Glass & Glass Products | • Schools |
| • Cement & Concrete | • Heavy Manufacturing | • Shipping Centers |
| • Chemical Plants | • Industrial Plants | • Steel Mills |
| • Commercial Buildings | • Mining & Minerals | • Supermarkets |
| • Equipment Rooms | • Plastics Plants | • Warehouses |
| • Foundries & Forging | • Power Stations | • +Others |

Model H Direct-Drive Hooded Roof Fan

Model H Direct-Drive Hooded Roof Fan Submittal Data



Size	A	B	C	D	E	BASE GAUGE	HOOD GAUGE	WT	ROOF OPENING (ins. sq.)	APPROX. WEIGHT (lbs.)
24	51	51	24	30.25	36	16	20	24	26.5	196
30	60	60	24	36.25	42	16	20	30	32.5	260
36	71	71	28	42.25	48	16	20	36	38.5	375
42	81	81	30	48.25	54	16	20	42	44.5	500
48	91	91	31	54.25	60	14	20	48	50.5	650
54	99	99	34	60.25	66	14	18	54	56.5	775
60	99	120	35	66.25	72	14	18	60	62.5	900
70	99	144	40	80.25	86	14	18	72	74.5	1200

All specifications are subject to change without notice unless approved in submittal by Moffitt

Model H Direct-Drive Hooded Roof Fan

Model H Direct-Drive Hooded Roof Fan - Exhaust Performance Data

MODEL	HP	RPM	MAX BHP	*SONES	STATIC PRESSURE (ins. w.g.) / CAPACITY (cfm)							
					0	0.10	.125	.250	.375	.500	.625	
H-242E-11	1/3	1160	0.38	17	5320	4736	4572	3812				
H-243E-11	1/2	1160	.058	19	6351	4829	5673	4918				
H-244E-11	3/4	1160	0.88	20	7053	6591	6494	5915	5219			
H-245-11	1	1160	1.16	25	8039	7560	7425	6691	5925	5005		
H-245E-17	1	1750	1.08	32	7395	7015	6911	6439	5958	5491	5018	
H-246E-17	1-1/2	1750	1.67	34	8442	8118	8035	7695	7359	7010	6625	
H-247E-17	2	1750	2.20	38	9669	9372	9295	8911	8538	8205	7617	
H-302E-8	1/3	860	0.37	17	6428	5542	5376	4313				
H-303E-8	1/2	860	0.57	27	6898	6311	6157	5562				
H-304E-8	3/4	860	0.86	18	9128	8229	7996	6755				
H-305E-8	1	860	1.15	20	9898	8818	8580	7318				
H-305E-11	1	1160	1.16	24	9968	9343	9183	8339	7578	6640		
H-306E-11	1-1/2	1160	1.72	26	11563	10961	10798	9995	9081	8110		
H-307E-11	2	1160	2.27	29	12881	12218	12051	11152	10078	9109	7932	
H-364E-8	3/4	860	0.82	25	11161	10132	9865	8170	5901			
H-365E-8	1	860	1.10	25	13065	12060	11771	9982	7775			
H-366E-8	1-1/2	860	1.48	25	14441	13210	12868	10968	8621			
H-364E-11	3/4	1160	0.70	30	10440	9178	8858	7085	4375			
H-365E-11	1	1160	1.18	32	12830	11901	11542	10218	8631	6511		
H-366E-11	1-1/2	1160	1.70	34	14644	13948	13852	12305	11625	10188	8270	
H-367E-11	2	1160	2.20	35	16226	15301	15120	14089	13029	11545	9771	
H-368E-11	3	1160	3.54	39	19470	18601	18375	17106	15810	13995	12365	
H-369E-11	5	1160	5.76	44	21923	20014	20776	19433	17645	15210		
H-425E-8	1	860	1.17	29	14470	13181	12830	11021	8997	6712	4188	
H-426E-8	1-1/2	860	1.54	28	17381	16082	15696	13949	11862	9465	6640	
H-427E-8	2	860	2.32	29	19885	18557	18248	16530	14619	12081	8886	
H-428E-8	3	860	3.31	32	22478	22135	20741	18620	16410	14055	10990	
H-486E-8	1-1/2	860	1.46	36	19795	18129	17730	15410	12810	9625	5874	
H-488E-8	3	860	3.32	37	27531	25675	25241	22871	20249	17015	13355	
H-489E-8	5	860	5.32	38	31420	29632	29045	26482	23850	20634	16476	

Model H Direct-Drive Hooded Roof Fan

Model H Direct-Drive Hooded Roof Fan – Supply Performance Data

MODEL	HP	RPM	MAX BHP	*SONES	STATIC PRESSURE (in. w.g.) / CAPACITY (cfm)							
					0	0.10	.125	.250	.375	.500	.6250	
H-242S-11	1/3	1160	.38	24	4752	4383	4280	3575				
H-243S-11	1/2	1160	.53	26	5576	5242	5150	4596				
H-244S-11	3/4	1160	.87	29	7152	6828	6746	6244	5232			
H-245S-11	1	1160	1.13	33	8045	7638	7517	6788	5519	3034		
H-245S-17	1	1750	1.21	38	8031	7647	7569	7114	6583	6144	4895	
H-246S-17	1-1/2	1750	1.79	48	8402	8183	8125	7842	7550	7198	6458	
H-247S-17	2	1750	2.36	49	9576	9359	9302	9032	8763	8434	8000	
H-302S-8	1/3	860	.36	22	7056	6307	6098	4473				
H-303S-8	1/2	860	.56	25	8601	7896	7693	6373				
H-304S-8	3/4	860	.83	26	10313	9559	9337	7474				
H-305S-8	1	860	1.09	28	11456	10635	10383	8687				
H-305S-11	1	1160	1.20	37	10919	10349	10213	9479	8555	6814		
H-306S-11	1-1/2	1160	1.74	39	13019	12468	12314	11670	10719	8943		
H-307S-11	2	1160	2.38	42	14657	14139	14006	13206	12221	10207	8259	
H-364S-8	3/4	860	.85	31	11526	10529	10246	8614	5912			
H-365S-8	1	860	1.17	33	13346	12468	12155	10350	7287			
H-366S-8	1-1/2	860	1.72	35	15315	14261	13999	11925	8053			
H-364S-11	3/4	1160	.88	37	11435	10122	9800	8110	6006			
H-365S-11	1	1160	1.18	43	11796	11013	10789	9750	8596	6927	5435	
H-366S-11	1-1/2	1160	1.84	48	14754	13958	13750	12732	11584	10158	8163	
H-367S-11	2	1160	2.37	50	16797	16002	15783	14654	13411	11967	10011	
H-368S-11	3	1160	3.53	56	19236	18628	18473	17446	16321	14197	12004	
H-369S-11	5	1160	5.68	65	22291	21528	21334	20230	18794	15288		
H-425S-8	1	860	1.09	38	14126	12856	12556	10933	8507	6244	4125	
H-426S-8	1-1/2	860	1.76	40	17804	16574	16269	14474	12325	9553	6438	
H-427S-8	2	860	2.27	45	19944	18831	18565	16992	14626	11698	8003	
H-428S-8	3	860	3.37	48	23444	22307	22005	20324	17511	14611	10403	
H-486S-8	1-1/2	860	1.74	45	20631	19021	18617	16241	13647	10560	6821	
H-488S-8	3	860	3.32	49	27812	25777	25337	23041	20395	16693	12003	
H-489S-8	5	860	5.31	54	32436	30855	30338	27788	25170	20429	15239	
H-4810S	7-1/2	860	7.74	55	36161	33711	33296	30778	26984	17899		