

Model HB Belt-Drive Hooded Roof Fan



MoffittCorp.com | (800) 474-3267
1351 13th Ave S. Suite 130
Jacksonville Beach, FL 32250

 **Moffitt**
NATURAL VENTILATION SOLUTIONS

Model HB Belt-Drive Hooded Roof Fan

Model HB Belt-Drive Hooded Roof Fan Description

PRODUCT DESCRIPTION

Model HB Hooded Belt-Drive Propeller Roof Fans are intended for the general ventilation of factories and warehouses. These fans can be utilized for supply or exhaust and are ideal for providing spot ventilation in specific problem areas.

STANDARD FEATURES

- Drive: Belt
- Sizes: 24" – 60"
- CFM Range: 5,320 – 16,476
- Propeller: High performance statically, and dynamically balanced
- Housing: Heavy gauge galvanized steel with vertical, interlocking welded seams
- Material: Deep Spun Venturi, high efficiency.
- Fan Base: All welded fan base.
- Motor: Heavy-Duty Ball Bearing Motor
- Motor Support: Heavy duty struts of heavy gauge galvanized steel with interlocking ribs at the seams.
- Birdscreen: 1/2" mesh galvanized, installed vertically along the fan base perimeter.
- Pillow Block Bearings: Lubricated without hinging the hood.
- Drive: Variable Pitch Drives To 7-1/2 HP – Adjustable for final system RPM. Belts sized for 165% of driven HP
- Hood: Hinged to provide easy access to motors, belts, pulleys, and propellers.
- Angle Drive Frame: bolted base assembly.

OPTIONAL FEATURES

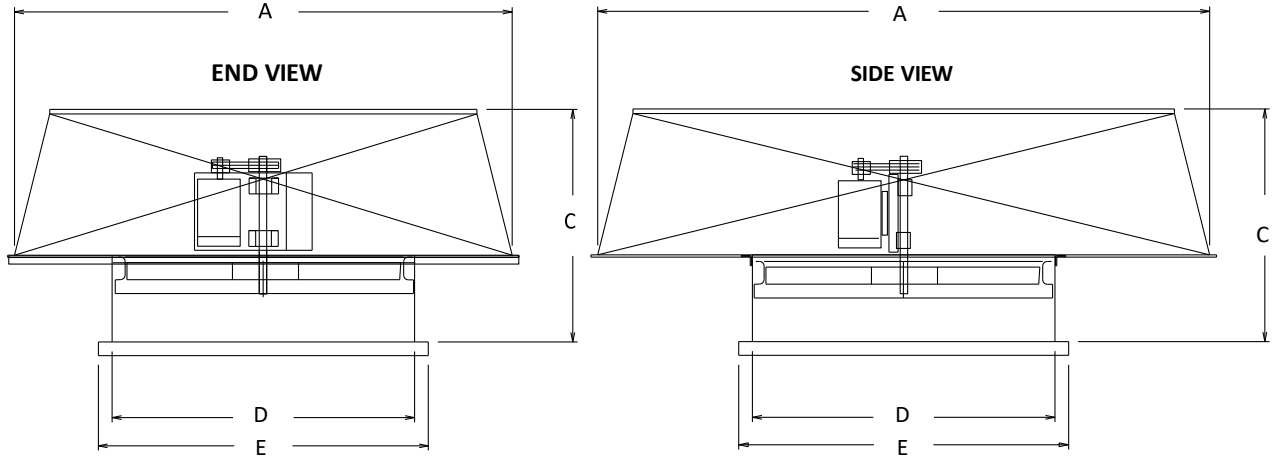
- Dampers:
 - Model RBD gravity dampers
 - Motorized
 - Model RVC heavy-duty backdraft dampers
- Testing: UL-705
- Safety guards
- Coatings
 - Color-to-match enamels
 - Epoxies
 - Urethanes
 - Urethane powder coating
- Disconnect switches
 - NEMA 1 - indoor general purpose,
 - NEMA 3r - exterior mount, rain-tight
 - NEMA 4 - water-tight and dust-tight.
- Extended lubrication lines –
- Hood Insulation – 1/2" or 1-1/2" thickness insulation.
- High Wind Tie Down Points: Four tie-down points for cable attachment can be provided.

INDUSTRY APPLICATION

- | | | |
|------------------------|--------------------------|-----------------------|
| • Aluminum Plants | • General Manufacturing | • Pulp & Paper Plants |
| • Automotive Plants | • Glass & Glass Products | • Schools |
| • Cement & Concrete | • Heavy Manufacturing | • Shipping Centers |
| • Chemical Plants | • Industrial Plants | • Steel Mills |
| • Commercial Buildings | • Mining & Minerals | • Supermarkets |
| • Equipment Rooms | • Plastics Plants | • Warehouses |
| • Foundries & Forging | • Power Stations | • +Others |

Model HB Belt-Drive Hooded Roof Fan

Model HB Direct-Drive Hooded Roof Fan Submittal Data



Size	A	B	C	D	E	BASE GAUGE	HOOD GAUGE	WT	DAMPER SIZE (ins. sq.)	ROOF OPENING (ins. sq.)	APPROX. WEIGHT (lbs.)
24	51	51	24	30.25	36	16	20	24	24	26.5	196
30	60	60	24	36.25	42	16	20	30	30	32.5	260
36	71	71	28	42.25	48	16	20	36	36	38.5	375
42	81	81	30	48.25	54	16	20	42	42	44.5	500
48	91	91	31	54.25	60	14	20	48	48	50.5	650
54	99	99	34	60.25	66	14	18	54	54	56.5	775
60	99	120	35	66.25	72	14	18	60	60	62.5	900

All specifications are subject to change without notice unless approved in submittal by Moffitt

Model HB Belt-Drive Hooded Roof Fan

Model HA Hooded Direct-Drive Hooded Roof - Exhaust Performance Data

MODEL	HP	RPM	MAX BHP	*SONES	STATIC PRESSURE (ins. w.g.) / CAPACITY (cfm)						
					0	0.10	.125	.150	.250	.375	.500
HS-242E	1/3	751	4719	.36	14.8	4910	4426	4299	4161	2867	3452
HS-243E	1/2	862	5416	.55	18.4	5636	5221	5110	4999	4764	4518
HS-244E	3/4	994	6246	.83	22.2	6499	6143	6051	5955	5763	5561
HS-245E	1	1090	6849	1.10	24.2	71.27	6803	6721	6637	6461	6286
HS-302E	1/3	525	4123	.37	12.4	68.61	5876	5591	5191	4133	3173
HS-303E	1/2	611	4799	.57	17.0	7985	7166	6941	6696	6091	5253
HS-304E	3/4	698	5482	.86	19.7	9122	8421	8229	8036	7613	7111
HS-305E	1	758	5953	1.10	23.0	9906	9273	9095	8917	8551	8156
HS-306E	1-1/2	867	6809	1.65	26.9	11330	10782	10642	10487	10176	9861
HS-363E	1/2	470	4430	.57	13.8	10401	9111	8698	8261	7086	5868
HS-364E	3/4	532	5014	.83	16.5	11773	10643	10350	10002	9230	8157
HS-365E	1	585	5514	1.11	19.2	12946	11927	11660	11393	10737	10009
HS-366E	1-1/2	670	6315	1.66	22.8	14827	13947	13717	13484	13018	12448
HS-367E	2	735	6927	2.20	26.1	16266	15463	15262	15052	14627	14202
HS-368E	3	841	7926	3.30	32.4	18611	17910	17734	17559	17196	16824
HS-425E	1	424	4662	1.1	17.0	15987	14410	13930	13359	12128	10720
HS-426E	1-1/2	482	5300	1.65	19.4	18174	16854	16449	16044	15063	13992
HS-427E	2	533	5861	2.21	21.1	20097	18964	18598	18231	17467	16558
HS-428E	3	615	6762	3.34	25.5	23189	22220	21978	21667	21032	20398
HS-486E	1-1/2	400	5027	1.65	13.8	21514	19397	12793	18113	16740	15368
HS-487E	2	442	5554	2.21	17.7	23773	21917	21370	20824	19596	18354
HS-488E	3	505	6346	3.30	25.7	27161	25621	25147	24668	23711	22630
HS-547E	2	363	5132	2.20	21.2	27763	24732	23926	23062	21288	19369
HS-548E	3	415	5867	3.31	25.2	31740	29126	28433	27740	26246	25706
HS-549E	5	495	6998	5.53	32.8	37859	35705	35142	34561	33399	32182
HS-5410E	1-1/2	569	8044	8.26	36.5	43518	41643	41174	40703	39691	38680
HS-608E	3	346	5435	3.30	20.2	36832	33193	32172	31125	28975	26962
HS-609E	5	410	6440	5.52	21.5	43645	40726	39864	39002	37368	35454
HS-6010E	1-1/2	471	7398	8.26	35.4	50139	47611	46979	46245	44744	43243
HS-6011E	10	518	8137	11.03	37.1	55142	52844	52269	51695	50352	48988

Model HA Hooded Direct-Drive Hooded Roof - Supply Performance Data

MODEL	HP	RPM	MAX BHP	*SONES	STATIC PRESSURE (ins. w.g.) / CAPACITY (cfm)						
					0	0.10	.125	.150	.250	.375	.500
HS-242S	1/3	751	4719	.36	17.5	5456	4967	4814	4661	4124	3525
HS-243S	1/2	862	5416	.54	22.1	6262	5863	5737	5604	5337	4875
HS-244S	3/4	994	6246	.84	27.1	7221	6875	6788	6691	6459	6228
HS-245S	1	1090	6849	1.10	29.3	7919	7603	7524	7445	7254	7043
HS-302S	1/3	525	4123	.36	16.5	7318	6500	6011	5491	4220	2855
HS-303S	1/2	611	4799	.57	17.9	8590	7876	7656	7341	6447	5418
HS-304S	3/4	698	5482	.86	21.6	9813	9232	9040	8840	8320	7537
HS-305S	1	758	5953	1.09	23.8	10656	10138	9975	9798	9444	8831
HS-306S	1-1/2	867	6809	1.64	28.7	12189	11736	11623	11494	11184	10875
HS-363S	1/2	470	4430	.57	17.2	10930	9472	8935	8276	6997	5586
HS-364S	3/4	532	5014	.83	20.3	12372	11196	10774	10350	9186	8057
HS-365S	1	585	5514	1.11	23.0	13605	12632	12249	11865	10986	9928
HS-366S	1-1/2	670	6315	1.67	27.3	15581	14785	14550	14216	13546	12811
HS-367S	2	735	6927	2.19	31.2	17093	16367	16185	15967	15357	14747
HS-368S	3	841	7926	3.28	38.9	19558	18923	18765	18606	18231	17698
HS-425S	1	424	4662	1.11	19.3	16960	15450	15003	14438	13125	11128
HS-426S	1-1/2	482	5300	1.65	21.7	19280	18024	17630	17237	16270	15116
HS-427S	2	533	5861	2.21	24.4	21320	20224	19892	19536	18824	17878
HS-428S	3	615	6762	3.34	30.7	24600	23650	23413	23155	22538	21921
HS-486S	1-1/2	400	5027	1.65	23.8	22737	20642	19775	18908	17136	15316
HS-487S	2	442	5554	2.21	26.8	25124	23388	22718	21934	20365	18744
HS-488S	3	505	6346	3.30	32.6	28705	27185	26805	26318	24945	23572
HS-547S	2	363	5132	2.18	25.3	29098	26087	25180	24020	21481	18649
HS-548S	3	415	5867	3.25	28.0	33267	30799	30005	29212	27286	25074
HS-549S	5	495	6998	5.53	37.9	39679	37704	37196	36531	35200	33827
HS-5410S	1-1/2	569	8044	8.26	48.3	45611	43892	43463	43033	41950	40792
HS-608S	3	346	5435	3.30	25.1	38837	35213	34092	32970	29928	26993
HS-609S	5	410	6440	5.52	35.9	46181	43181	42310	41364	39471	37082
HS-6010S	1-1/2	471	7398	8.26	43.3	52867	50395	49778	49098	47451	45803
HS-6011S	10	518	8137	11.05	53.0	58143	55895	55333	54772	53441	51943