

Model VB Upblast Belt-Drive Fan



MoffittCorp.com | (800) 474-3267
1351 13th Ave S. Suite 130
Jacksonville Beach, FL 32250

 **Moffitt**
NATURAL VENTILATION SOLUTIONS

Model VB Upblast Belt-Drive Fan

Model VB Upblast Belt-Drive Fan Description

PRODUCT DESCRIPTION

Model VB Upblast Exhaust Fans are intended for the general ventilation. These fans can also be placed to provide spot ventilation in specific problem areas.

Dampers open automatically when the fan is started. The high velocity exhaust airstream holds the dampers open preventing the entrance of rain or snow. When the motor power is cut, the dampers close to provide a complete weather seal. A rain runoff trough is located below the damper shafts to provide drainage to the outside resulting in a weather-tight construction.

STANDARD FEATURES

- Drive: Belt Drive, Variable Pitch Drives to 7-1/2 HP. Adjustable for final system RPM. Belts sized for 165% of driven HP.
- Propeller: High-performance statically and dynamically balanced
- Wind Band: Heavy gauge galvanized steel and beaded for additional strength.
- Dampers: Butterfly dampers w/ water runoff troughs for sizes 24" - 60".
- Motor Frame: Heavy-duty, all-welded drive frame
- Heavy Duty Ball Bearing Motor provides years of trouble-free operation.
- Housing: Galvanized steel, Deep Spun Venturi, protected by a high-performance polyurethane coating
- Bearings: Self-aligning pillow block bearings
- Self-Aligning Pillow Block Bearings: 200,000 hours at max. cataloged operating speeds.

OPTIONAL FEATURES

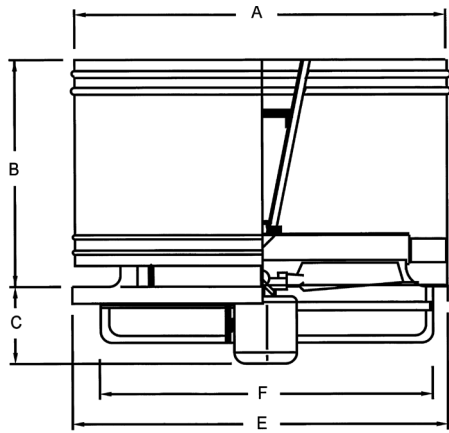
- Protective Guards:
 - Inlet Guard
 - Outlet Guard
- Magnetic Damper Latches
- Disconnect Switches:
 - NEMA 3R Rainproof
 - NEMA 4 Watertight
- Roof Curbs:
 - Extended height curbs
 - Self-flashing (Type SFE)
 - Roofed over (Type CFE)
- Special coatings
 - Color to match enamel
 - Epoxies
 - Urethane powder coatings
- Fusible link damper lifter

INDUSTRY APPLICATION

- Aluminum Plants
- Automotive Plants
- Factories
- General Manufacturing
- Glass & Glass Products
- Pulp & Paper Plants
- Schools
- Warehouses

Model VB Uplast Belt-Drive Fan

Model VB Belt-Drive Fan Submittal Data



SIZE	A	B	C	E	F	STEEL GAUGE		
						CURB CAP	WIND BAND	WT
24	30	19	15	30	24	16	20	170
30	36	22	16	36	30	16	20	205
36	42	25	19	42	36	16	20	300
42	48	28	20	48	42	14	20	375
48	54	31	23	54	48	14	20	450
54	60	35	23	60	54	12	20	600
60	66	38	19	66	60	12	18	725

MODEL	HP	RPM	MAX BHP	*SONES	STATIC PRESSURE / CAPACITY							
					0.00	0.10	0.125	0.25	0.375	0.5	0.75	
VA-243	1/2	1047	6579	.60	23.0	6279	5770	5166	4435	3407		
VA-244	3/4	1195	7508	.90	23.8	7166	6730	6235	5662	5000		
VA-245	1	1311	8237	1.18	26.1	7862	7472	7030	6542	5991	4542	
VA-246	1-1/2	1483	9318	1.67	31.1	8894	8550	8175	7771	7323	6293	
VA-303	1/2	773	6071	.60	17.6	8456	7505	6303	4522			
VA-304	3/4	885	6951	.90	20.9	9681	8872	7915	6718	5049		
VA-305	1	974	7650	1.20	24.0	10655	9932	9099	8132	6931		
VA-306	1-1/2	1098	8624	1.72	28.2	12011	11381	10674	9884			
VA-364	3/4	749	7059	.89	20.0	12670	11350	9835	7722			
VA-365	1	826	7785	1.19	22.7	13973	12790	11484	9919	7516		
VA-366	1-1/2	930	8765	1.69	26.9	15732	14692	13569	12322	10855		
VA-367	2	1020	9613	2.24	31.5	17254	16314	15308	14236	13041	9511	
VA-368	3	1170	11027	3.38	39.7	19792	18980	18122	17222	16279	14075	
VA-369	5	1392	13119	5.66	52.6	23547	22876	22165	21436	20681	19081	
VA-425	1	680	7477	1.20	23.4	17228	15430	13371	10631			
VA-426	1-1/2	774	8511	1.77	27.4	19610	18051	16344	14358	11718		
VA-427	2	844	9280	2.30	30.9	21383	19963	18435	16738	14772		
VA-428	3	966	10622	3.44	38.1	24474	23246	21944	20562	19050	15250	
VA-429	5	1144	12579	5.73	50.0	28984	27946	26881	25769	24601	22054	
VA-4210	7-1/2	1312	14426	8.57	65.3	33240	32336	31430	30476	29499	27433	
VA-486	1-1/2	665	8357	1.71	25.5	23212	20943	18385	15106			
VA-487	2	732	9199	2.30	29.0	25551	23508	21267	18689	15177		
VA-488	3	845	10619	3.54	36.3	29495	27748	25878	23861	21568		
VA-489	5	992	12466	5.73	49.7	34626	33155	31600	29979	28248	24232	
VA-4810	7-1/2	1130	14200	8.45	61.7	39443	38152	36818	35420	33994	30859	
VA-548	3	605	8553	3.43	26.6	34222	31791	29151	26219	22656		
VA-549	5	717	10136	5.74	35.5	40557	38537	36377	34104	31648	25280	
VA-5410	7-1/2	817	11550	8.51	43.6	46214	44461	42600	40669	38646	34124	
VA-5411	10	897	12681	11.24	51.8	50739	49143	47474	45738	43957	40113	
VA-608	3	532	8357	3.44	32.0	39341	36091	32512	28357	22484		
VA-609	5	631	9912	5.75	42.2	46662	43959	41085	37969	34518	21933	
VA-6010	7-1/2	719	11294	8.50	53.4	53169	50819	48341	45746	42969	36436	
VA-6011	10	790	12409	11.27	66.9	58419	56280	54062	51753	49324	43977	