

Model RS Circular Vent



MoffittCorp.com | (800) 474-3267
1351 13th Ave S. Suite 130
Jacksonville Beach, FL 32250

 **Moffitt**
NATURAL VENTILATION SOLUTIONS

Model RS Circular Vent

Model RS Circular Vent Description

PRODUCT DESCRIPTION

Model RS circular gravity vents are an economical solution for roof ventilation. They are designed for general use on industrial, commercial, public, and government buildings. The model RS conforms to the Army Corps of Engineers Bulletin CE 220.09 for gravity ventilators. They can withstand winds up to 85 miles per hour and are weatherproof and storm proof under all normal operating conditions.

STANDARD FEATURES

- Material:
 - Galvanized iron conforming to Specification QQ-1-716
 - Aluminum alloy sheets meeting #QQA359
- Bird Screen

OPTIONAL FEATURES

- Bases:
 - Square
 - Round
- Fusible Links
- Duct Fan

BENEFITS

- Durable, industrial construction
- Uses no energy
- Incurs no operating costs
- No maintenance costs
- Contributes zero sound to building
- Adaptable to specialty features

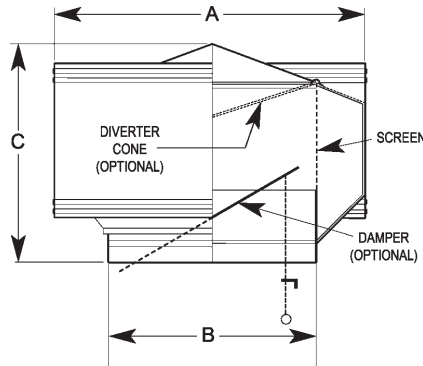
INDUSTRY APPLICATION

- Wastewater Treatment
- Coastal Environments
- Schools
- Port Storage Facilities
- Hospitals
- Laboratories

Model RS Circular Vent

Model RS Dimensional Data & Features

Model	GALV	ALUM	A	B	C	Model	Galv	Alum	A	B	C
RS-6	26	032	10	6	8.5	RS-24	24	040	38	24	22.5
RS-8	26	032	13	8	9.5	RS-30	22	040	48	30	24.5
RS-10	26	032	16	10	11	RS-36	22	040	56	36	29
RS-12	24	032	19	12	13	RS-42	20	050	65.5	42	35
RS-14	24	032	22	14	14	RS-48	20	050	75	46	35
RS-16	24	032	15.5	16	15	RS-54	20	050	81	54	41
RS-18	24	032	30	18	18.5	RS-60	18	050	90	60	42
RS-20	24	032	32	20	19.5	RS-72	18	050	108	72	50



CFM Ratings

STACK HEIGHT	WIND SPEED	TEMP. DIFF.	6	8	10	12	14	16	18	20	24	30	36	42	48	54	60	72		
10	5	10	60	109	169	242	330	431	545	671	967	1512	2178	2857	3881	4929	6457	9298		
		20	62	110	171	246	337	440	558	685	986	1542	2120	3014	3956	5024	6581	9477		
		30	67	120	18	270	369	482	609	750	1080	1699	2432	3302	4334	5504	7210	10382		
	10	10	10	112	200	316	449	613	801	1012	1247	1796	2809	4044	5491	7207	9153	11990	17266	
			20	116	208	324	466	636	832	1051	1295	1866	2917	4200	5702	7484	9506	12451	17929	
			30	120	215	334	481	656	858	1065	1336	1925	3010	4334	5885	7724	9809	12850	18504	
		20	5	10	62	110	171	246	337	440	556	665	966	1542	2120	3014	3968	5024	6581	9476
				20	65	116	80	259	354	462	584	719	1036	1620	2333	3169	4158	5251	6918	9962
				30	69	123	191	276	377	493	623	767	1105	1728	2489	3370	4435	5532	7378	10624
10	10	10	115	208	324	466	636	832	1051	1295	1855	2917	4200	5702	7484	9504	12450	17928		
		20	121	216	336	484	660	862	1090	1343	1934	3025	4355	5914	7752	9845	12697	18572		
		30	127	228	354	510	696	910	1150	1417	2041	3192	4596	6240	8190	10401	13625	19820		
30	5	10	67	120	187	270	369	482	608	750	1090	1689	2432	3302	4334	5504	7210	10382		
		20	69	123	191	276	377	493	623	7767	1105	1728	2489	3379	4435	5632	7378	10624		
		30	84	151	234	338	461	602	761	937	1350	2111	3040	4128	5418	6880	9013	12978		
	10	10	10	120	214	335	461	655	858	1085	1136	1924	3009	4334	5884	7723	9808	12848	18501	
			20	127	228	354	510	696	910	1150	1417	2014	3192	4596	6240	8190	10401	13625	19620	
			30	130	232	361	520	710	928	1174	1445	2082	3255	4667	6365	8354	10601	13899	20014	